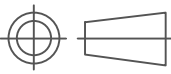



MODEL	EE55/21 ( 7+7P ) H		UNIT:	mm			
MATERIAL	PHENOLIC		SCALE:	1:1			
DRAWN BY	King Hu	2016.3.18	UL REC:	94V-0	Hefei Mycoil Technology Co.,LTD		
			TOLERANCE				
CHECK BY	King Hu	2016.4.12	PIN MATERIAL	C5191	PIN PITCH:±0.2	WEB	www.mycoiltech.com
ISSED BY	James Hu	2016.5.16	0 < L ≤ 5: ±0.10 5 < L ≤ 20: ±0.15		THICKNESS: ±0.15	TEL	( +86 ) 551 6619 6829
					ANGLE: ±1°	EMAIL	sales@mycoiltech.com
				PIN DIA: ±0.05			