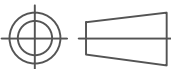



MODEL	BASE-11		UNIT:	mm		
MATERIAL	PHENOLIC		SCALE:	1:1		
DRAWN BY	Una Chen	2014.3.18	UL REC:	94V-0	Hefei Mycoil Technology Co.,LTD	
CHECK BY	Jason Hu	2014.3.18	TOLERANCE		WEB	www.mycoiltech.com
			0 < L ≤ 6: ±0.1 6 < L ≤ 20: ±0.2 20 < L ≤ 50: ±0.3 50 < L: ±0.4	PIN PITCH: ±0.2 THICKNESS: ±0.15 ANGLE: ±1° PIN DIA: ±0.05	TEL	(+86) 551 6619 6829
ISSUED BY	James Hu	2014.5.16			EMAIL	sales@mycoiltech.com