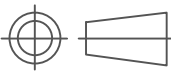



MODEL	EPC-19(H/5+6P)		UNIT:	mm			
MATERIAL	PHENOLIC		SCALE:	1:1			
DRAWN BY	Una Wu	2014.3.18	UL REC:	94V-0	Hefei mycoil technology Co.,LTD		
CHECK BY	Jason Hu	2014.3.18	TOLERANCE			WEBSITE	www.mycoiltech.com
			0 < L ≤ 6: ±0.1	6 < L ≤ 20: ±0.2	20 < L ≤ 50: ±0.3	50 < L: ±0.4	TEL
ISSUED BY	James Hu	2014.5.16			PIN PITCH: ±0.2	EMAIL	sales@mycoiltech.com
					THICKNESS: ±0.15		
					ANGLE: ±1°		
					PIN DIA: ±0.05		