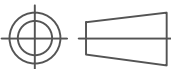




MODEL	EEL-19(H/5+5P)		UNIT:	mm			
MATERIAL	PHENOLIC		SCALE:	1:1			
DRAWN BY	Una Wu	2014.3.18	UL REC:	94V-0	TOLERANCE		
CHECK BY	Jason Hu	2014.3.18	0 < L ≤ 6: ±0.1 6 < L ≤ 20: ±0.2 20 < L ≤ 50: ±0.3 50 < L: ±0.4	PIN PITCH: ±0.2 THICKNESS: ±0.15 ANGLE: ±1° PIN DIA: ±0.05			
ISSUED BY	James Hu	2014.5.16				Hefei mycoil technology Co.,LTD	
					WEBSITE	www.mycoiltech.com	
					TEL	(+86) 551 6619 6829	
					EMAIL	sales@mycoiltech.com	