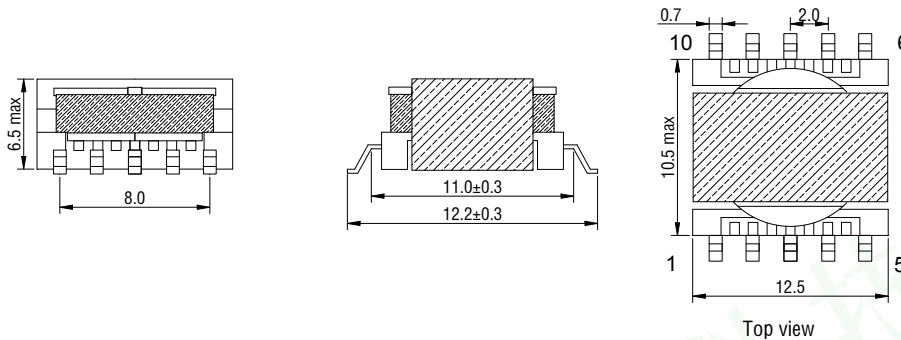


Size ER11.5

Drawing with schematic:


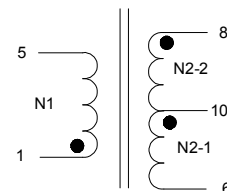
- Drawing is not to scale
- SMD-Terminals-Coplanarity $\leq 100\mu\text{m}$

Electrical Data and Part Number(PN):

L1 in uH	L1 in mA	L _{sat} in mA	RDC/mΩ	PN
27.0	550	200	350	MCT-ERA-B05
14.5	550	550	350	MCT-ERA-B06
11.0	550	700	350	MCT-ERA-B07
8.5	550	950	350	MCT-ERA-B08

General Technical Details:

- Transformer with multi-winding
- Insulation test voltage is 1000V
- Low leakage inductance
- Operating temperature $-40^{\circ}\text{C} \sim +125^{\circ}\text{C}$
- Different circuit will use many possibilities for quick prototyping.



● Start

Applications:

- Flyback converters
- Forward converters
- Push-pull converters
- Step-Up/Step-down converters
- Sepic converters(single ended primary inductor converter)

Dimension:

- Bobbin: $\pm 0.5\text{mm}$
- Terminal(SMD): $\pm 0.1\text{mm}$
- Grid size: $\pm 0.3\text{mm}$

Welcome customized.