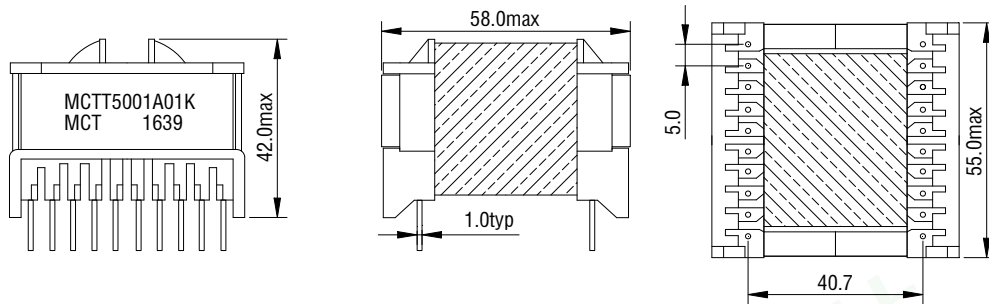


Size ETD49

Drawing with schematic:


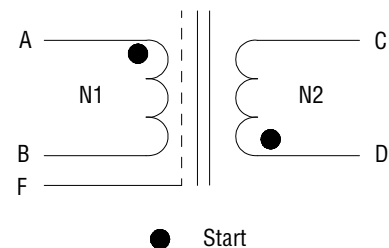
- Drawing is not to scale

Electrical Data and Part Number(PN):

L_1 in uH	L_1 in mA	L_{sat} in mA	DCR/m Ω	MCT PN
500	1500	1900	35	MCTT5001A01K

General Technical Details:

- Transformer with multi-winding
- Insulation test voltage is 3750V
- Low leakage inductance
- Operating temperature $-40^{\circ}\text{C} \sim +125^{\circ}\text{C}$
- Different circuit will use many possibilities for quick prototyping.


Applications:

- Flyback converters
- Forward converters
- Push-pull converters
- Step-Up/Step-down converters
- Sepic converters(single ended primary inductor converter)

Dimension:

- Bobbin: $\pm 0.5\text{mm}$
- Terminal(SMD): $\pm 0.1\text{mm}$
- Grid size: $\pm 0.3\text{mm}$

Welcome customized.