

Printed-Circuit-Board Flat-type transformers

Output Power: 10.0 VA – 30.0 VA

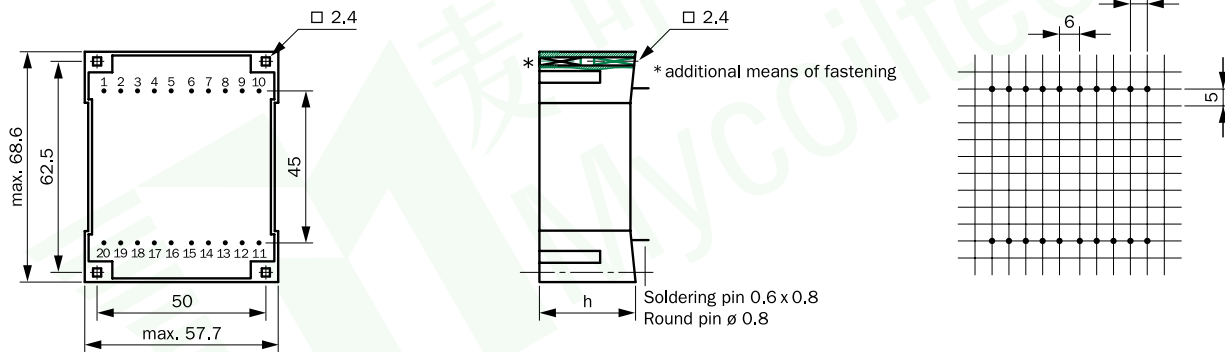
- Output Power up to 30.0 VA
- Temperature class $t_a 70^\circ\text{C}$ non short-circuit-proof
- Vacuum encapsulated, bobbin type with dual chamber windings
- Excellent temperature fluctuation resistance properties
- High electrical safety and long service-life features
- High voltage resistance up to 6000 V
- Self-extinguishing cast housing and sealing material
- Per item tested quality with certificate

Protection extern secondary by:

- Micro fuse according to IEC 127 or
- PTC resistance

Parallel to the cataloged UI 39 series transformers, MCT also produces other variants, e.g. with integrated thermo fuse or thermo switch.

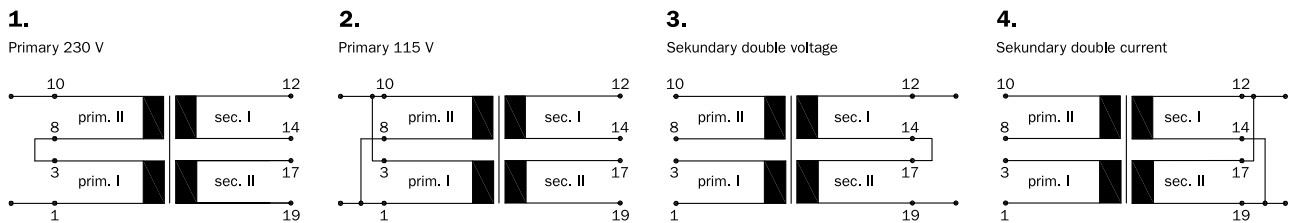
Connecting pins



View looking onto pins

Dimensions without tolerances ± 0.3 mm, rights to make alterations and improvements hereby reserved

Connection scheme (only connected pins are present)



Test voltage: up to 6000 V

Frame size/Core height	Output Power $t_a 70^\circ\text{C}$	Size(h)	Weight	Packaging unit
MCT UI 392/ 8.0mm	10.0V/A	23.0mm	0.290kg	8/15 pieces*
MCT UI 393/10.2mm	14.0V/A	25.2mm	0.330kg	8/15 pieces*
MCT UI 394/13.5mm	18.0V/A	28.5mm	0.390kg	8/15 pieces*
MCT UI 395/17.0mm	24.0V/A	32.0mm	0.460kg	8/15 pieces*
MCT UI 396/21.0mm	30.0V/A	36.0mm	0.550kg	8/15 pieces*

* it depends on kind of packaging

Printed-Circuit-Board Flat-type transformers

Output Power: up to 30.0 VA

10.0 VA ta 70 °C

Frame size/Core height
MCT UI 392 . /8.0 mm
non short circuit-proof

Order No.	Primary Voltage V	Connecting pins prim.	Secondary voltage V	Current sec.mA	Connecting pins sec.	No-load Voltage V	Connection scheme
MCT UI 392 0092	2×115	1-3/8-10	2×6	833	12-14/17-19	2×8.2	1-4
MCT UI 392 0076	2×115	1-3/8-10	2×9	556	12-14/17-19	2×11.9	1-4
MCT UI 392 0093	2×115	1-3/8-10	2×12	416	12-14/17-19	2×16.4	1-4
MCT UI 392 0077	2×115	1-3/8-10	2×15	333	12-14/17-19	2×19.3	1-4
MCT UI 392 0094	2×115	1-3/8-10	2×18	277	12-14/17-19	2×23.8	1-4

14.0 VA ta 70 °C

Frame size/Core height
MCT UI 393 . /10.2 mm
non short circuit-proof

Order No.	Primary Voltage V	Connecting pins prim.	Secondary voltage V	Current sec.mA	Connecting pins sec.	No-load Voltage V	Connection scheme
MCT UI 393 0085	2×115	1-3/8-10	2×6	1166	12-14/17-19	2×8.0	1-4
MCT UI 393 0074	2×115	1-3/8-10	2×9	778	12-14/17-19	2×12.0	1-4
MCT UI 393 0081	2×115	1-3/8-10	2×12	583	12-14/17-19	2×15.6	1-4
MCT UI 393 0078	2×115	1-3/8-10	2×15	467	12-14/17-19	2×19.9	1-4
MCT UI 393 0062	2×115	1-3/8-10	2×18	389	12-14/17-19	2×23.7	1-4

18.0 VA ta 70 °C

Frame size/Core height
MCT UI 394 . /13.5 mm
non short circuit-proof

Order No.	Primary Voltage V	Connecting pins prim.	Secondary voltage V	Current sec.mA	Connecting pins sec.	No-load Voltage V	Connection scheme
MCT UI 394 0086	2×115	1-3/8-10	2×6	1500	12-14/17-19	2×8.0	1-4
MCT UI 394 0110	2×115	1-3/8-10	2×7.5	1200	12-14/17-19	2×9.8	1-4
MCT UI 394 0063	2×115	1-3/8-10	2×9	1000	12-14/17-19	2×12.0	1-4
MCT UI 394 0087	2×115	1-3/8-10	2×12	750	12-14/17-19	2×15.5	1-4
MCT UI 394 0088	2×115	1-3/8-10	2×15	600	12-14/17-19	2×19.6	1-4
MCT UI 394 0075	2×115	1-3/8-10	2×18	500	12-14/17-19	2×23.2	1-4

24.0 VA ta 70 °C

Frame size/Core height
MCT UI 395 . /17.0 mm
non short circuit-proof

Order No.	Primary Voltage V	Connecting pins prim.	Secondary voltage V	Current sec.mA	Connecting pins sec.	No-load Voltage V	Connection scheme
MCT UI 395 0089	2×115	1-3/8-10	2×6	2000	12-14/17-19	2×7.4	1-4
MCT UI 395 0190	2×115	1-3/8-10	2×7.5	1600	12-14/17-19	2×9.3	1-4
MCT UI 395 0098	2×115	1-3/8-10	2×9	1333	12-14/17-19	2×11.0	1-4
MCT UI 395 0091	2×115	1-3/8-10	2×12	1000	12-14/17-19	2×14.7	1-4
MCT UI 395 0083	2×115	1-3/8-10	2×15	800	12-14/17-19	2×18.2	1-4
MCT UI 395 0099	2×115	1-3/8-10	2×18	666	12-14/17-19	2×22.0	1-4
MCT UI 395 0100	2×115	1-3/8-10	2×21	571	12-14/17-19	2×25.0	1-4

30.0 VA ta 70 °C

Frame size/Core height
MCT UI 396 . /21.0 mm
non short circuit-proof

Order No.	Primary Voltage V	Connecting pins prim.	Secondary voltage V	Current sec.mA	Connecting pins sec.	No-load Voltage V	Connection scheme
MCT UI 396 0101	2×115	1-3/8-10	2×6	2500	12-14/17-19	2×7.3	1-4
MCT UI 396 0187	2×115	1-3/8-10	2×7.5	2000	12-14/17-19	2×9.0	1-4
MCT UI 396 0102	2×115	1-3/8-10	2×9	1666	12-14/17-19	2×10.7	1-4
MCT UI 396 0079	2×115	1-3/8-10	2×12	1250	12-14/17-19	2×14.1	1-4
MCT UI 396 0103	2×115	1-3/8-10	2×15	1000	12-14/17-19	2×17.6	1-4
MCT UI 396 0080	2×115	1-3/8-10	2×18	833	12-14/17-19	2×21.2	1-4