

Printed-Circuit-Board Flat-type transformers

Output Power: 3.0 VA – 16.0 VA

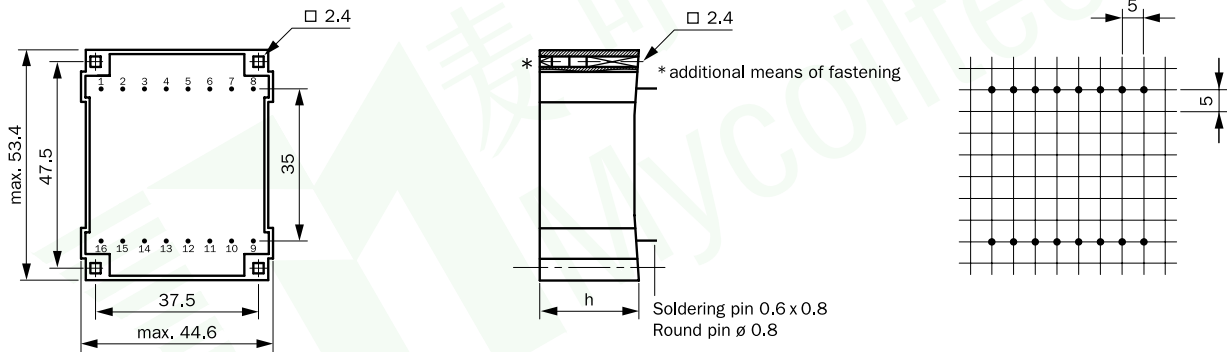
- Output Power up to 16.0 VA
- Temperature class ta 70 ° C, but non short-circuit-proof
- Vacuum-encapsulated, bobbin type with dual chamber windings
- Excellent temperature fluctuation resistance properties
- High electrical safety and long service-life features
- High voltage resistance up to 6000 V
- Self-extinguishing cast housing and sealing material
- Per item tested quality with certificate

Protection extern secondary by:

- Micro fuse according to IEC 127 or
- PTC resistance

Parallel to the cataloged UI 30 series transformers, MCT also produces other variants, e. g. with integrated thermo fuse or thermo switch.

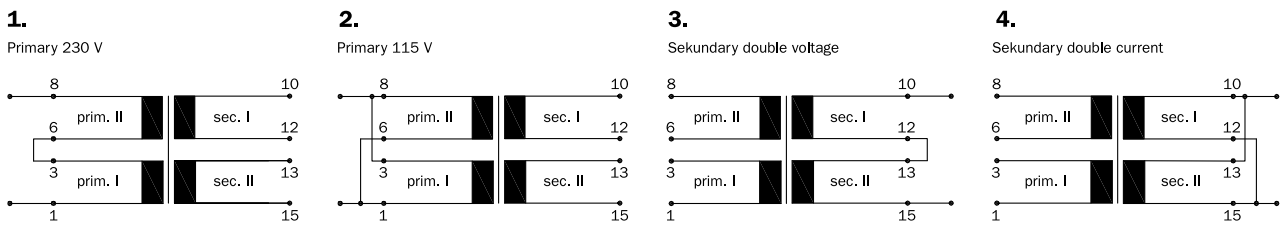
Connecting pins



View looking onto pins

Dimensions without tolerances ± 0.3 mm, rights to make alterations and improvements hereby reserved

Connection scheme (only connected pins are present)



Test voltage: up to 6000 V

Frame size/Core height	Output Power ta 70° C/B	Size(h)	Weight	Packaging unit
MCT UI 301/ 5.5mm	3.0V/A	17.8mm	0.130kg	18/24 pieces*
MCT UI 302/ 7.5mm	4.0V/A	19.8mm	0.150kg	18/24 pieces*
MCT UI 303/10.5mm	6.0V/A	22.8mm	0.180kg	18/24 pieces*
MCT UI 304/16.5mm	10.0V/A	28.8mm	0.260kg	15/18pieces*
MCT UI 305/26.0mm	16.0V/A	37.6mm	0.370kg	15/18pieces*

* it depends on kind of packaging

Printed-Circuit-Board Flat-type transformers

Output Power: up to 16.0 VA

3.0 VA ta 70 °C

Frame size/Core height

MCT UI 301 . /5.5 mm

non short circuit-proof

Order No.	Primary Voltage V	Connecting pins prim.	Secondary voltage V	Current sec.mA	Connecting pins sec.	No-load Voltage V	Connection scheme
MCT UI 301 0167	2×115	1-3/6-8	2×6	250	10-12/13-15	2×7.9	1-4
MCT UI 301 0168	2×115	1-3/6-8	2×9	167	10-12/13-15	2×14.0	1-4
MCT UI 301 0133	2×115	1-3/6-8	2×12	126	10-12/13-15	2×18.4	1-4
MCT UI 301 0166	2×115	1-3/6-8	2×15	100	10-12/13-15	2×22.8	1-4

4.0 VA ta 70 °C

Frame size/Core height

MCT UI 302 . /7.5 mm

non short circuit-proof

Order No.	Primary Voltage V	Connecting pins prim.	Secondary voltage V	Current sec.mA	Connecting pins sec.	No-load Voltage V	Connection scheme
MCT UI 302 0164	2×115	1-3/6-8	2×6	333	10-12/13-15	2×10.1	1-4
MCT UI 302 0161	2×115	1-3/6-8	2×9	222	10-12/13-15	2×13.5	1-4
MCT UI 302 0144	2×115	1-3/6-8	2×12	166	10-12/13-15	2×20.2	1-4
MCT UI 302 0165	2×115	1-3/6-8	2×15	133	10-12/13-15	2×24.9	1-4

6.0 VA ta 70 °C

Frame size/Core height

MCT UI 303 . /10.5 mm

non short circuit-proof

Order No.	Primary Voltage V	Connecting pins prim.	Secondary voltage V	Current sec.mA	Connecting pins sec.	No-load Voltage V	Connection scheme
MCT UI 303 0162	2×115	1-3/6-8	2×6	500	10-12/13-15	2×9.0	1-4
MCT UI 303 0179	2×115	1-3/6-8	2×7.5	400	10-12/13-15	2×11.4	1-4
MCT UI 303 0158	2×115	1-3/6-8	2×9	334	10-12/13-15	2×12.8	1-4
MCT UI 303 0145	2×115	1-3/6-8	2×12	250	10-12/13-15	2×17.2	1-4
MCT UI 303 0163	2×115	1-3/6-8	2×15	200	10-12/13-15	2×21.8	1-4

10.0 VA ta 70 °C

Frame size/Core height

MCT UI 304 . /16.5 mm

non short circuit-proof

Order No.	Primary Voltage V	Connecting pins prim.	Secondary voltage V	Current sec.mA	Connecting pins sec.	No-load Voltage V	Connection scheme
MCT UI 304 0155	2×115	1-3/6-8	2×6	833	10-12/13-15	2×8.7	1-4
MCT UI 304 0129	2×115	1-3/6-8	2×7.5	667	10-12/13-15	2×10.0	1-4
MCT UI 304 0153	2×115	1-3/6-8	2×9	555	10-12/13-15	2×12.4	1-4
MCT UI 304 0154	2×115	1-3/6-8	2×12	416	10-12/13-15	2×16.0	1-4
MCT UI 304 0136	2×115	1-3/6-8	2×15	333	10-12/13-15	2×19.7	1-4
MCT UI 304 0159	2×115	1-3/6-8	2×18	277	10-12/13-15	2×23.4	1-4

16.0 VA ta 70 °C

Frame size/Core height

MCT UI 305 . /26.0 mm

non short circuit-proof

Order No.	Primary Voltage V	Connecting pins prim.	Secondary voltage V	Current sec.mA	Connecting pins sec.	No-load Voltage V	Connection scheme
MCT UI 305 0147	2×115	1-3/6-8	2×6	1330	10-12/13-15	2×7.5	1-4
MCT UI 305 0148	2×115	1-3/6-8	2×9	888	10-12/13-15	2×10.9	1-4
MCT UI 305 0149	2×115	1-3/6-8	2×12	666	10-12/13-15	2×14.6	1-4
MCT UI 305 0150	2×115	1-3/6-8	2×15	533	10-12/13-15	2×18.0	1-4
MCT UI 305 0151	2×115	1-3/6-8	2×18	444	10-12/13-15	2×21.5	1-4
MCT UI 305 0152	2×115	1-3/6-8	2×21	380	10-12/13-15	2×25.0	1-4