

## Printed-Circuit-Board transformers

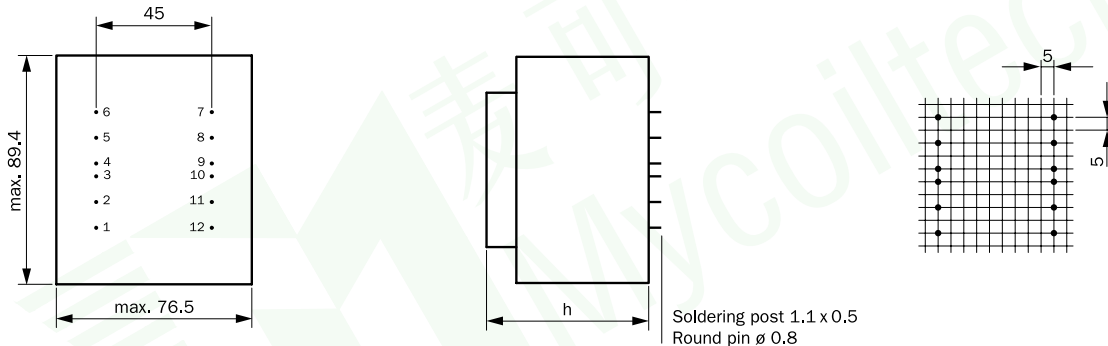
Output Power: 75.0 VA – 100.0 VA

### Private customized version

Custom-made models are available on request, e.g. with or without mounting brackets, other heights, pin configurations or connections.

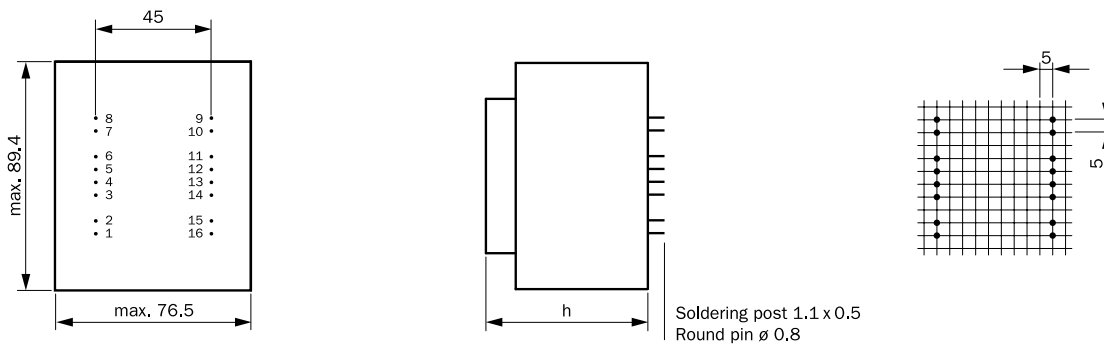
Frame size/Core height	Output Power Ta 70° C	Height(h)	Weight
MCT EI 841/29.5mm	75.0V/A	38.5 ± 0.5mm	1.600kg
MCT EI 842/43.5mm	100.0 V/A	44.5 ± 0.5mm	2.100kg

#### Type cast housing "A" with 12 connection pins



Dimensions without tolerances  $\pm$  0.3 mm,  
rights to make alterations and improvements hereby reserved

#### Type cast housing "A" with 16 connection pins



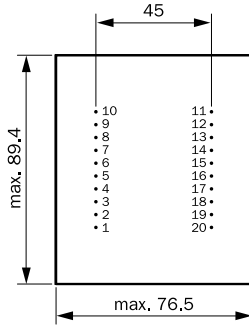
View looking onto pins

Dimensions without tolerances  $\pm$  0.3 mm,  
rights to make alterations and improvements hereby reserved

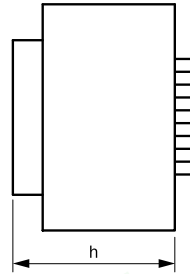
## Printed-Circuit-Board transformers

Output Capacity: 75.0 VA – 100.0 VA

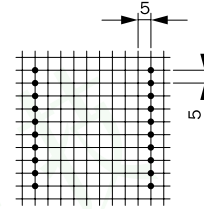
### Type cast housing "A" with 20 connection pins



View looking onto pins

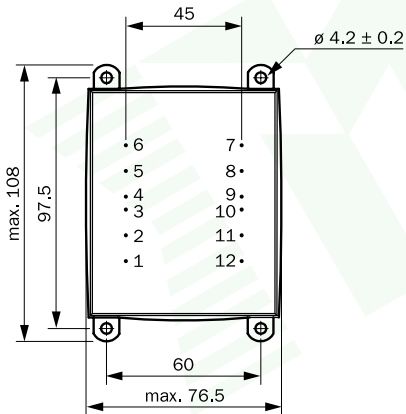


Soldering post 1.1 x 0.5  
Round pin  $\varnothing$  0.8

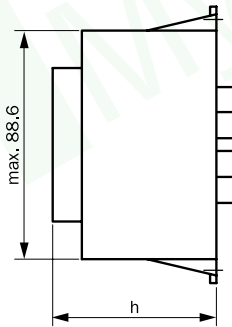


Dimensions without tolerances  $\pm$  0.3 mm,  
rights to make alterations and improvements hereby reserved

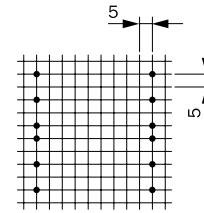
### Type cast housing "KK" with 12 connection pins



View looking onto pins

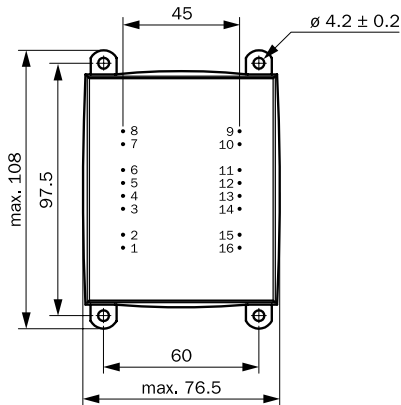


Soldering post 1.1 x 0.5  
Round pin  $\varnothing$  0.8

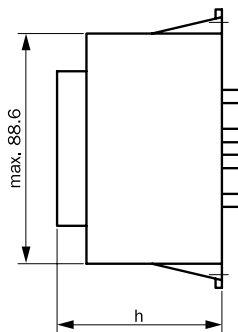


Dimensions without tolerances  $\pm$  0.3 mm,  
rights to make alterations and improvements hereby reserved

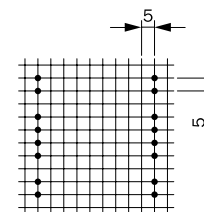
### Type cast housing "B" with 16 connection pins



View looking onto pins



Soldering post 1.1 x 0.5  
Round pin  $\varnothing$  0.8

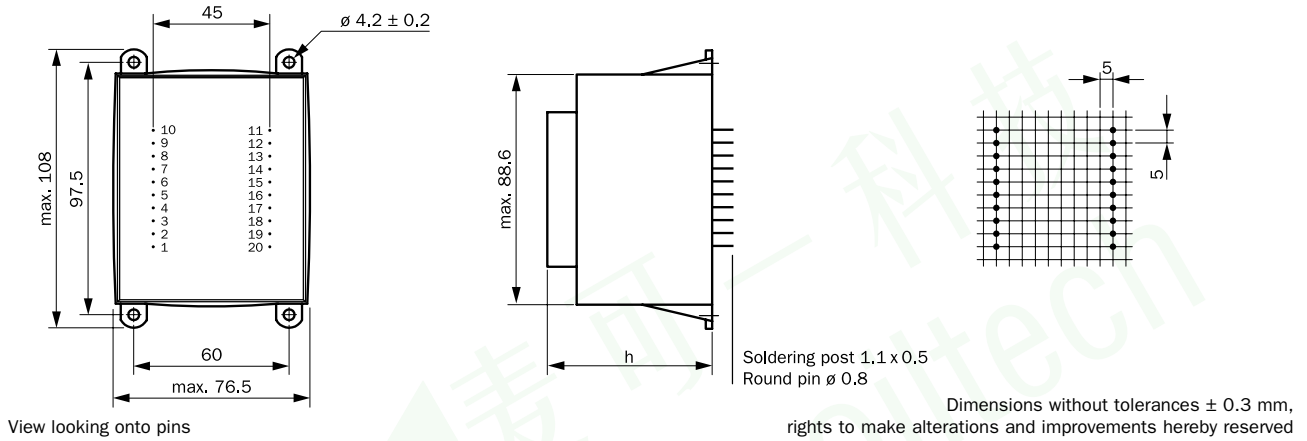


Dimensions without tolerances  $\pm$  0.3 mm,  
rights to make alterations and improvements hereby reserved

## Printed-Circuit-Board transformers

### Output Capacity: 75.0 VA – 100.0 VA

#### Type cast housing "B" with 20 connection pins



#### Type cast housing "C" for upright mounting

