

Printed-Circuit-Board transformers

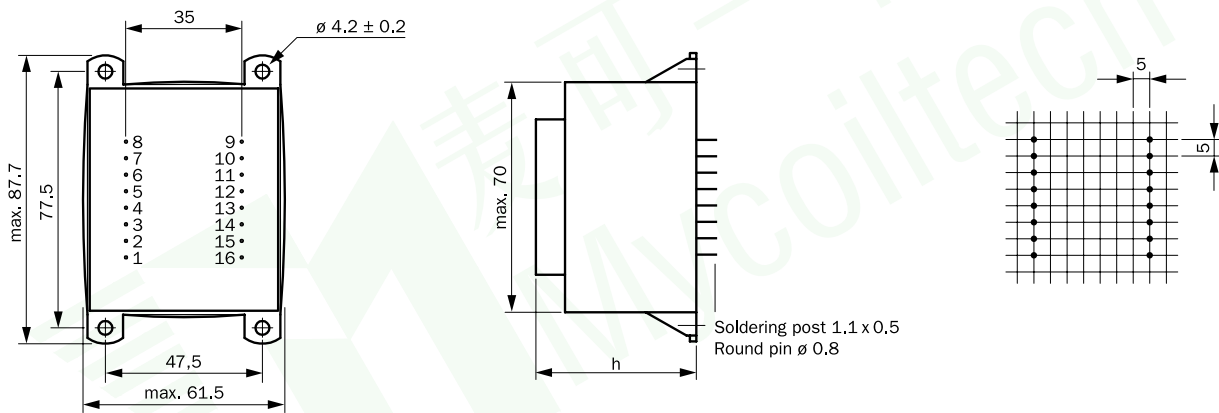
Output Power: 17.0 VA – 50.0 VA

- Output Power up to 50.0 VA
- Non short-circuit-proof at temperature class ta 70 ° C
- Standard type cast housing “B”
- Excellent temperature fluctuation resistance properties
- High electrical safety and long service-life features
- High voltage resistance
- Self-extinguishing cast housing and sealing material
- Per item tested quality with certificate

Protection extern secondary by:

- Micro fuse according to IEC 127 or
- PTC resistance

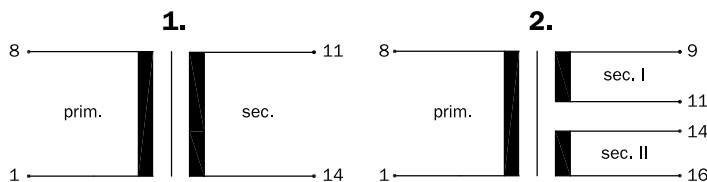
Connecting pins type cast housing “B” with 4 fixing straps



View looking onto pins

Dimensions without tolerances ± 0.3 mm, rights to make alterations and improvements hereby reserved

Connection scheme (present only connected pins)



Frame size/Core height	Output Power Ta 70° C	Height(h)	Weight	Packaging unit
MCT EI 660/12.0 mm	17.0V/A	38.5 ± 0.5mm	0.500kg	16pieces
MCT EI 661/18.0mm	25.0 V/A	44.5 ± 0.5mm	0.700kg	16pieces
MCT EI 662/23.0mm	33.0V/A	48.5 ± 0.5mm	0.800kg	16pieces
MCT EI 663/30.0mm	44.0 V/A	55.8 ± 0.5mm	0.950kg	16pieces
MCT EI 664/34.8mm	47.0V/A	60.2 ± 0.5mm	1.000kg	16pieces
MCT EI 665/40.0mm	50.0V/A	66.5 ± 0.5mm	1.200kg	16pieces

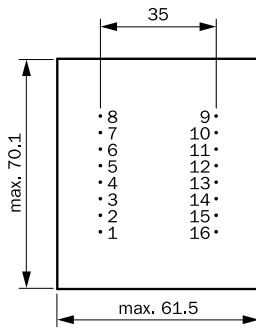
Printed-Circuit-Board transformers

Output Power: 17.0 VA – 50.0 VA

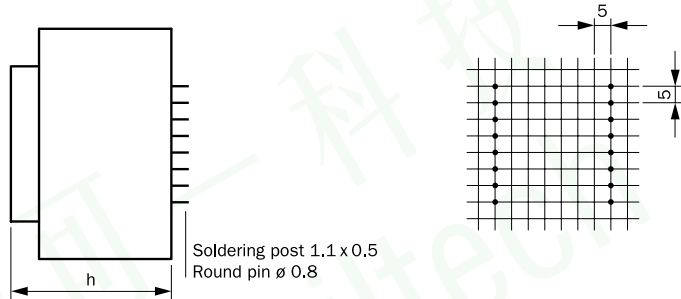
Private customized version

Parallel to the cataloged EI 54 series transformers, MCT also produces other variants, e.g. with integrated thermo fuse or thermo switch, other housing-, fixing- and connective options as well as non-encapsulated transformers.

Type cast housing "A"

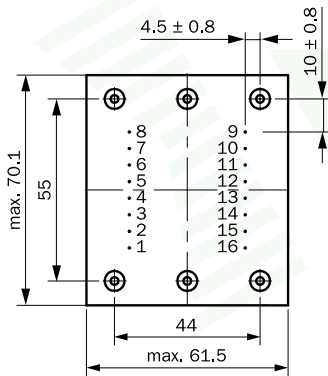


View looking onto pins

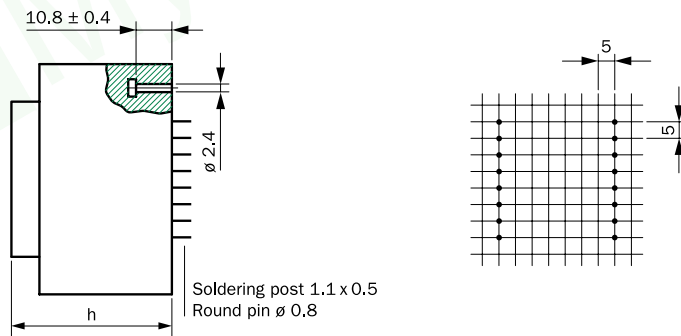


Dimensions without tolerances ± 0.3 mm, rights to make alterations and improvements hereby reserved

Type cast housing "A" with fixing band

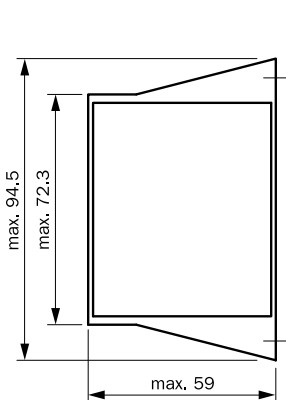


View looking onto pins

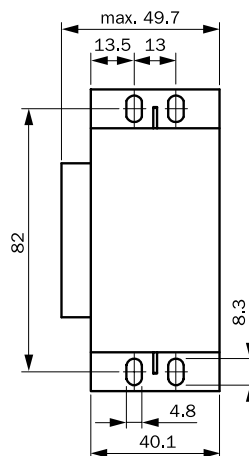


Dimensions without tolerances ± 0.3 mm, rights to make alterations and improvements hereby reserved

Type cast housing "C" for upright mounting



View looking onto pins



Dimensions without tolerances ± 0.3 mm, rights to make alterations and improvements hereby reserved

Printed-Circuit-Board transformers

Output Power: up to 33.0 VA

17.0 VA ta 70 °C

Frame size/Core height
MCT EI 660 . /12.0 mm
non short circuit-proof

Order No.	Primary Voltage V	Connecting pins prim.	Secondary voltage V	Current sec.mA	Connecting pins sec.	No-load Voltage V	Connection scheme
MCT EI 660 1060	230	1-8	1×6	2883	11-14	1×7.4	1
MCT EI 660 1061	230	1-8	2×6	1417	9-11/14-16	2×7.7	2
MCT EI 660 1062	230	1-8	1×7.5	2267	11-14	1×9.1	1
MCT EI 660 1063	230	1-8	2×7.5	1133	9-11/14-16	2×9.1	2
MCT EI 660 1064	230	1-8	1×9	1889	11-14	1×10.8	1
MCT EI 660 1065	230	1-8	2×9	944	9-11/14-16	2×10.8	2
MCT EI 660 1066	230	1-8	1×12	1417	11-14	1×14.4	1
MCT EI 660 1067	230	1-8	2×12	708	9-11/14-16	2×14.2	2
MCT EI 660 1068	230	1-8	1×15	1133	11-14	1×18.0	1
MCT EI 660 1069	230	1-8	2×15	567	9-11/14-16	2×17.8	2
MCT EI 660 1070	230	1-8	1×18	944	11-14	1×21.0	1
MCT EI 660 1071	230	1-8	2×18	472	9-11/14-16	2×21.7	2
MCT EI 660 1072	230	1-8	1×24	708	11-14	1×28.0	1

25.0 VA ta 70 °C

Frame size/Core height
MCT EI 661 . /18.0 mm
non short circuit-proof

Order No.	Primary Voltage V	Connecting pins prim.	Secondary voltage V	Current sec.mA	Connecting pins sec.	No-load Voltage V	Connection scheme
MCT EI 661 1073	230	1-8	1×6	4167	11-14	1×7.3	1
MCT EI 661 1074	230	1-8	2×6	2083	9-11/14-16	2×7.3	2
MCT EI 661 1075	230	1-8	1×7.5	3333	11-14	1×9.0	1
MCT EI 661 1076	230	1-8	2×7.5	1667	9-11/14-16	2×9.0	2
MCT EI 661 1077	230	1-8	1×9	2778	11-14	1×10.9	1
MCT EI 661 1078	230	1-8	2×9	1389	9-11/14-16	2×10.6	2
MCT EI 661 1079	230	1-8	1×12	2083	11-14	1×13.9	1
MCT EI 661 1080	230	1-8	2×12	1042	9-11/14-16	2×13.9	2
MCT EI 661 1081	230	1-8	1×15	1667	11-14	1×17.4	1
MCT EI 661 1082	230	1-8	2×15	833	9-11/14-16	2×17.4	2
MCT EI 661 1083	230	1-8	1×18	1389	11-14	1×20.9	1
MCT EI 661 1084	230	1-8	2×18	694	9-11/14-16	2×20.5	2
MCT EI 661 1085	230	1-8	1×24	1042	11-14	1×27.9	1

33.0 VA ta 70 °C

Frame size/Core height
MCT EI 662 . /23.0 mm
non short circuit-proof

Order No.	Primary Voltage V	Connecting pins prim.	Secondary voltage V	Current sec.mA	Connecting pins sec.	No-load Voltage V	Connection scheme
MCT EI 662 1086	230	1-8	1×6	5500	11-14	1×7.0	1
MCT EI 662 1087	230	1-8	2×6	2750	9-11/14-16	2×7.0	2
MCT EI 662 1088	230	1-8	1×7.5	4400	11-14	1×8.5	1
MCT EI 662 1089	230	1-8	2×7.5	2200	9-11/14-16	2×8.5	2
MCT EI 662 1090	230	1-8	1×9	3667	11-14	1×10.3	1
MCT EI 662 1091	230	1-8	2×9	1833	9-11/14-16	2×10.3	2
MCT EI 662 1092	230	1-8	1×12	2750	11-14	1×14.0	1
MCT EI 662 1093	230	1-8	2×12	1375	9-11/14-16	2×14.0	2
MCT EI 662 1094	230	1-8	1×15	2200	11-14	1×16.9	1
MCT EI 662 1095	230	1-8	2×15	1100	9-11/14-16	2×16.9	2
MCT EI 662 1096	230	1-8	1×18	1833	11-14	1×20.1	1
MCT EI 662 1097	230	1-8	2×18	917	9-11/14-16	2×20.1	2
MCT EI 662 1098	230	1-8	1×24	1375	11-14	1×26.8	1

Printed-Circuit-Board transformers

Output Power: up to 50.0 VA

44.0 VA ta 70 °C

Frame size/Core height
MCT EI 663 . /30.0 mm
non short circuit-proof

Order No.	Primary Voltage V	Connecting pins prim.	Secondary voltage V	Current sec.mA	Connecting pins sec.	No-load Voltage V	Connection scheme
MCT EI 663 1099	230	1-8	1×6	7333	11-14	1×6.8	1
MCT EI 663 1100	230	1-8	2×6	3667	9-11/14-16	2×6.8	2
MCT EI 663 1101	230	1-8	1×7.5	5867	11-14	1×8.6	1
MCT EI 663 1102	230	1-8	2×7.5	2933	9-11/14-16	2×8.6	2
MCT EI 663 1103	230	1-8	1×9	4889	11-14	1×10.5	1
MCT EI 663 1104	230	1-8	2×9	2444	9-11/14-16	2×10.3	2
MCT EI 663 1105	230	1-8	1×12	3667	11-14	1×13.7	1
MCT EI 663 1106	230	1-8	2×12	1833	9-11/14-16	2×13.7	2
MCT EI 663 1107	230	1-8	1×15	2933	11-14	1×17.2	1
MCT EI 663 1108	230	1-8	2×15	1467	9-11/14-16	2×17.2	2
MCT EI 663 1109	230	1-8	1×18	2444	11-14	1×20.2	1
MCT EI 663 1110	230	1-8	2×18	1222	9-11/14-16	2×20.2	2
MCT EI 663 1111	230	1-8	1×24	1833	11-14	1×26.9	1

47.0 VA ta 70 °C

Frame size/Core height
MCT EI 664 . /34.8 mm
non short circuit-proof

Order No.	Primary Voltage V	Connecting pins prim.	Secondary voltage V	Current sec.mA	Connecting pins sec.	No-load Voltage V	Connection scheme
MCT EI 664 1112	230	1-8	1×6	7833	11-14	1×7.3	1
MCT EI 664 1113	230	1-8	2×6	3917	9-11/14-16	2×7.1	2
MCT EI 664 1114	230	1-8	1×7.5	6267	11-14	1×8.6	1
MCT EI 664 1115	230	1-8	2×7.5	3133	9-11/14-16	2×8.6	2
MCT EI 664 1116	230	1-8	1×9	5222	11-14	1×10.1	1
MCT EI 664 1117	230	1-8	2×9	2611	9-11/14-16	2×10.1	2
MCT EI 664 1118	230	1-8	1×12	3917	11-14	1×13.4	1
MCT EI 664 1119	230	1-8	2×12	1960	9-11/14-16	2×13.4	2
MCT EI 664 1120	230	1-8	1×15	3133	11-14	1×16.4	1
MCT EI 664 1121	230	1-8	2×15	1570	9-11/14-16	2×16.4	2
MCT EI 664 1122	230	1-8	1×18	2610	11-14	1×19.7	1
MCT EI 664 1123	230	1-8	2×18	1306	9-11/14-16	2×19.7	2
MCT EI 664 1124	230	1-8	1×24	1958	11-14	1×26.3	1

50.0 VA ta 70 °C

Frame size/Core height
MCT EI 665 . /40.0 mm
non short circuit-proof

Order No.	Primary Voltage V	Connecting pins prim.	Secondary voltage V	Current sec.mA	Connecting pins sec.	No-load Voltage V	Connection scheme
MCT EI 665 1125	230	1-8	1×6	8333	11-14	1×6.9	1
MCT EI 665 1126	230	1-8	2×6	4167	9-11/14-16	2×6.7	2
MCT EI 665 1127	230	1-8	1×7.5	6667	11-14	1×8.5	1
MCT EI 665 1128	230	1-8	2×7.5	3333	9-11/14-16	2×8.5	2
MCT EI 665 1129	230	1-8	1×9	5556	11-14	1×10.0	1
MCT EI 665 1130	230	1-8	2×9	2778	9-11/14-16	2×10.0	2
MCT EI 665 1131	230	1-8	1×12	4167	11-14	1×13.0	1
MCT EI 665 1132	230	1-8	2×12	2083	9-11/14-16	2×13.0	2
MCT EI 665 1133	230	1-8	1×15	3333	11-14	1×16.4	1
MCT EI 665 1134	230	1-8	2×15	1667	9-11/14-16	2×16.4	2
MCT EI 665 1135	230	1-8	1×18	2778	11-14	1×19.7	1
MCT EI 665 1136	230	1-8	2×18	1388	9-11/14-16	2×19.7	2
MCT EI 665 1137	230	1-8	1×24	2083	11-14	1×26.1	1