

Printed-Circuit-Board transformers

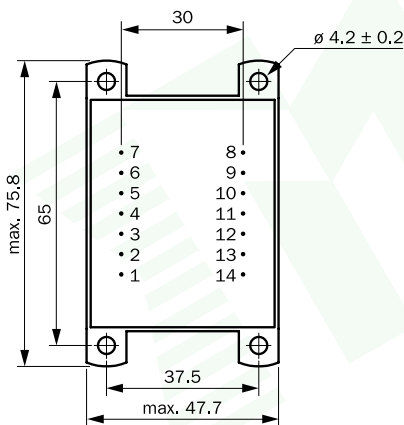
Output Power: 12.0 VA – 22.0 VA

- Output Power up to 22.0 VA
- Non short-circuit-proof at temperature class ta 70 ° C
- Standard type cast housing “B”
- Excellent temperature fluctuation resistance properties
- High electrical safety and long service-life features
- High voltage resistance
- Self-extinguishing cast housing and sealing material
- Per item tested quality with certificate

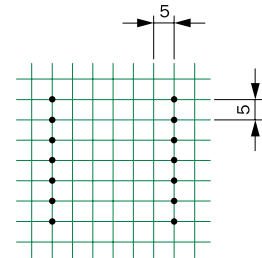
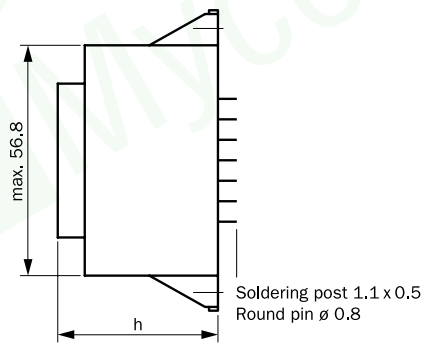
Protection extern secondary by:

- Micro fuse according to IEC 127 or
- PTC resistance

Type cast housing “B” with 4 fixing straps

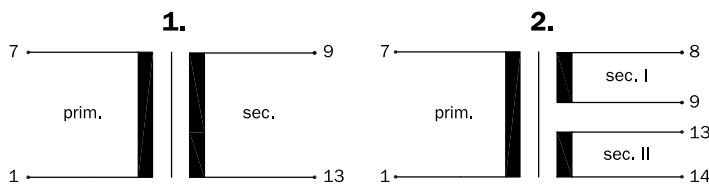


View looking onto pins



Dimensions without tolerances ± 0.3 mm, rights to make alterations and improvements hereby reserved

Connection scheme (only connected pins are present)



2.) double voltage – bridge: 9 + 13, double current – bridge: 8 + 13/9 + 14

Frame size/Core height	Output Power Ta 70° C	Height(h)	Weight	Packaging unit
MCT EI 540/14.0 mm*	12.0V/A	35.0±0.5mm	0.350kg	24pieces**
MCT EI 541/18.8mm	16.0 V/A	38.8±0.5mm	0.400kg	24pieces**
MCT EI 542/23.0mm	20.0V/A	43.2±0.5mm	0.500kg	24pieces**
MCT EI 543/25.5mm	22.0 V/A	47.4±0.5mm	0.550kg	24pieces**

* only type cast housing ‘A’

** it depends on kind of cast housing

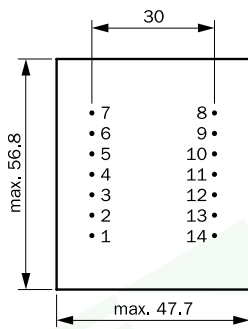
Printed-Circuit-Board transformers

Output Power: 12.0 VA – 22.0 VA

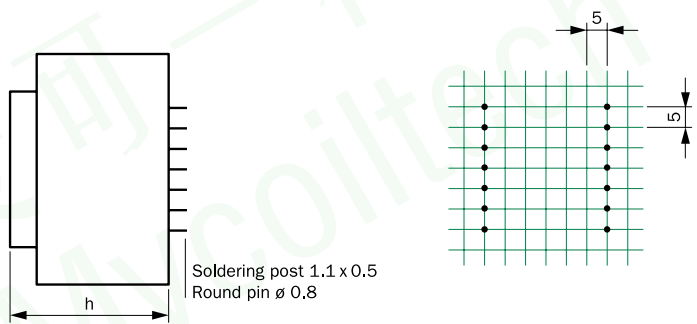
Private customized version

Parallel to the cataloged EI 54 series transformers, MCT also produces other variants, e.g. with integrated thermo fuse or thermo switch, other housing-, fixing- and connective options as well as non-encapsulated transformers.

Type cast housing "A"

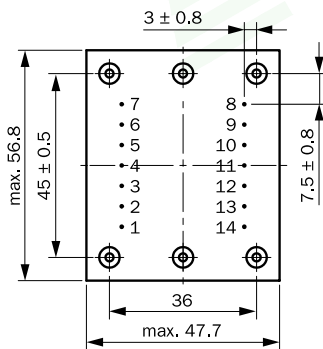


View looking onto pins

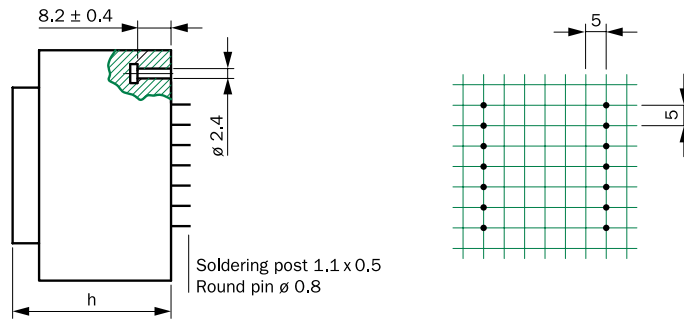


Dimensions without tolerances ± 0.3 mm, rights to make alterations and improvements hereby reserved

Type cast housing "A" with fixing band



View looking onto pins

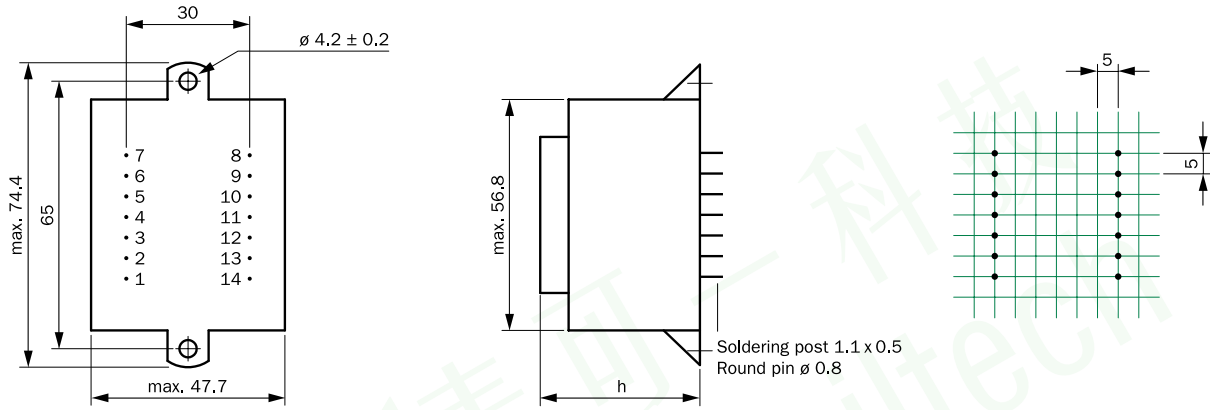


Dimensions without tolerances ± 0.3 mm, rights to make alterations and improvements hereby reserved

Printed-Circuit-Board transformers

Output Power: 12.0 VA - 22.0 VA

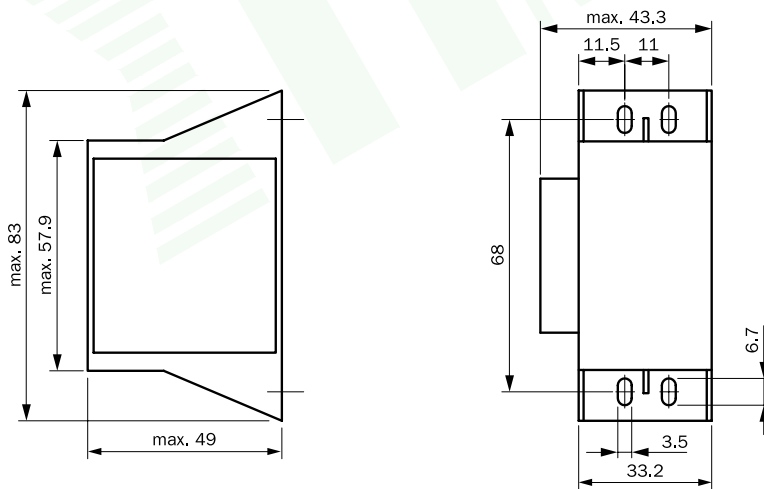
Type cast housing "B" with 2 fixing straps



View looking onto pins

Dimensions without tolerances ± 0.3 mm, rights to make alterations and improvements hereby reserved

Type cast housing "C" for upright mounting



View looking onto pins

Dimensions without tolerances ± 0.3 mm, rights to make alterations and improvements hereby reserved

Printed-Circuit-Board transformers

Output Power: up to 20.0 VA

12.0 VA ta 70 °C

Frame size/Core height
MCT EI 540 . /14.0 mm
non short circuit-proof

Order No.	Primary Voltage V	Connecting pins prim.	Secondary voltage V	Current sec.mA	Connecting pins sec.	No-load Voltage V	Connection scheme
MCT EI 540 1137	230	1-7	1×6	2000	9-13	1×8.1	1
MCT EI 540 1138	230	1-7	2×6	1000	8-9/13-14	2×8.1	2
MCT EI 540 1139	230	1-7	1×7.5	1600	9-13	1×9.9	1
MCT EI 540 1140	230	1-7	2×7.5	800	8-9/13-14	2×9.9	2
MCT EI 540 1141	230	1-7	1×9	1333	9-13	1×12.2	1
MCT EI 540 1142	230	1-7	2×9	667	8-9/13-14	2×12.2	2
MCT EI 540 1143	230	1-7	1×12	1000	9-13	1×15.8	1
MCT EI 540 1144	230	1-7	2×12	500	8-9/13-14	2×15.8	2
MCT EI 540 1145	230	1-7	1×15	800	9-13	1×19.4	1
MCT EI 540 1146	230	1-7	2×15	400	8-9/13-14	2×19.4	2
MCT EI 540 1147	230	1-7	1×18	667	9-13	1×23.5	1
MCT EI 540 1148	230	1-7	2×18	334	8-9/13-14	2×23.5	2
MCT EI 540 1149	230	1-7	1×24	500	9-13	1×30.6	1

16.0 VA ta 70 °C

Frame size/Core height
MCT EI 541 . /18.8 mm
non short circuit-proof

Order No.	Primary Voltage V	Connecting pins prim.	Secondary voltage V	Current sec.mA	Connecting pins sec.	No-load Voltage V	Connection scheme
MCT EI 541 1121	230	1-7	1×6	2667	9-13	1×7.9	1
MCT EI 541 1128	230	1-7	2×6	1334	8-9/13-14	2×7.9	2
MCT EI 541 1122	230	1-7	1×7.5	2134	9-13	1×9.7	1
MCT EI 541 1129	230	1-7	2×7.5	1067	8-9/13-14	2×9.7	2
MCT EI 541 1123	230	1-7	1×9	1778	9-13	1×11.7	1
MCT EI 541 1130	230	1-7	2×9	889	8-9/13-14	2×11.7	2
MCT EI 541 1124	230	1-7	1×12	1333	9-13	1×15.2	1
MCT EI 541 1131	230	1-7	2×12	667	8-9/13-14	2×15.2	2
MCT EI 541 1125	230	1-7	1×15	1067	9-13	1×19.1	1
MCT EI 541 1132	230	1-7	2×15	534	8-9/13-14	2×19.1	2
MCT EI 541 1126	230	1-7	1×18	889	9-13	1×22.3	1
MCT EI 541 1150	230	1-7	2×18	445	8-9/13-14	2×22.3	2
MCT EI 541 1110	230	1-7	1×24	667	9-13	1×29.1	1

20.0 VA ta 70 °C

Frame size/Core height
MCT EI 542 . /23.0 mm
non short circuit-proof

Order No.	Primary Voltage V	Connecting pins prim.	Secondary voltage V	Current sec.mA	Connecting pins sec.	No-load Voltage V	Connection scheme
MCT EI 542 1151	230	1-7	1×6	3334	9-13	1×7.7	1
MCT EI 542 1152	230	1-7	2×6	1667	8-9/13-14	2×7.7	2
MCT EI 542 1153	230	1-7	1×7.5	2667	9-13	1×9.5	1
MCT EI 542 1154	230	1-7	2×7.5	1334	8-9/13-14	2×9.5	2
MCT EI 542 1155	230	1-7	1×9	2223	9-13	1×11.4	1
MCT EI 542 1156	230	1-7	2×9	1112	8-9/13-14	2×11.4	2
MCT EI 542 1157	230	1-7	1×12	1667	9-13	1×15.0	1
MCT EI 542 1158	230	1-7	2×12	834	8-9/13-14	2×15.0	2
MCT EI 542 1159	230	1-7	1×15	1334	9-13	1×18.6	1
MCT EI 542 1160	230	1-7	2×15	667	8-9/13-14	2×18.6	2
MCT EI 542 1161	230	1-7	1×18	1112	9-13	1×21.8	1
MCT EI 542 1162	230	1-7	2×18	556	8-9/13-14	2×21.8	2
MCT EI 542 1163	230	1-7	1×24	834	9-13	1×29.5	1

Printed-Circuit-Board transformers

Output Power: up to 22.0 VA

22.0 VA ta 70 °C

Frame size/Core height

MCT EI 543 . /25.5 mm

non short circuit-proof

Order No.	Primary Voltage V	Connecting pins prim.	Secondary voltage V	Current sec.mA	Connecting pins sec.	No-load Voltage V	Connection scheme
MCT EI 543 1166	230	1-7	1×6	3667	9-13	1×7.4	1
MCT EI 543 1167	230	1-7	2×6	1834	8-9/13-14	2×7.4	2
MCT EI 543 1168	230	1-7	1×7.5	2934	9-13	1×8.9	1
MCT EI 543 1169	230	1-7	2×7.5	1467	8-9/13-14	2×8.9	2
MCT EI 543 1170	230	1-7	1×9	2445	9-13	1×10.7	1
MCT EI 543 1171	230	1-7	2×9	1223	8-9/13-14	2×10.7	2
MCT EI 543 1172	230	1-7	1×12	1834	9-13	1×14.5	1
MCT EI 543 1173	230	1-7	2×12	917	8-9/13-14	2×14.5	2
MCT EI 543 1174	230	1-7	1×15	1467	9-13	1×17.9	1
MCT EI 543 1175	230	1-7	2×15	734	8-9/13-14	2×17.9	2
MCT EI 543 1176	230	1-7	1×18	1223	9-13	1×21.0	1
MCT EI 543 1177	230	1-7	2×18	612	8-9/13-14	2×21.0	2
MCT EI 543 1178	230	1-7	1×24	917	9-13	1×28.0	1