

## Printed-Circuit-Board transformers

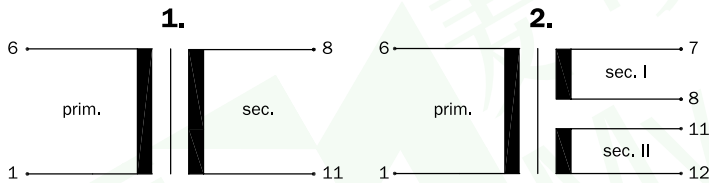
### Output Power: 7.0 VA – 15.0 VA

- Output Power up to 15.0 VA
- Non short-circuit-proof at temperature class  $T_a 70^\circ C$
- Standard type cast housing “B” and “A”
- Excellent temperature fluctuation resistance properties
- High electrical safety and long service-life features
- High voltage resistance
- Self-extinguishing cast housing and sealing material
- Per item tested quality with certificate

Protection extern secondary by:

- Micro fuse according to IEC 127 or
- PTC resistance

**Connection scheme** (only connected pins are present)



2.) double voltage – bridge: 8 + 11, double current – bridge: 7 + 11/ 8 + 12

Frame size/Core height	Output Power $T_a 70^\circ C$	Height(h)	Weight	Packaging unit
MCT EI 480/12.5 mm*	7.0V/A	$30.2 \pm 0.5\text{mm}$	0.250kg	27/40pieces**
MCT EI 481/16.8mm	10.0 V/A	$34.6 \pm 0.5\text{mm}$	0.300kg	27/40 pieces**
MCT EI 48220.5mm	12.0V/A	$38.5 \pm 0.5\text{mm}$	0.350kg	27/40 pieces**
MCT EI 483/25.5mm	15.0 V/A	$43.5 \pm 0.5\text{mm}$	0.450kg	27/40 pieces**

\* only type cast housing ' A '

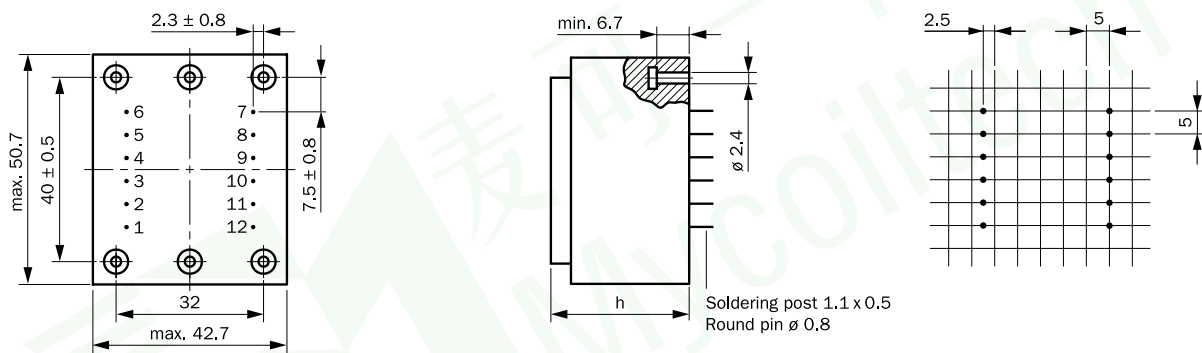
\*\* it depends on kind of cast housing

## Printed-Circuit-Board transformers Output Power: 7.0 VA – 15.0 VA

### Private customized version!

Parallel to the cataloged EI 48 series transformers, MCT also produces other variants, e.g. with integrated thermo fuse or thermo switch, other housing-, fixing- and connective options as well as non-encapsulated transformers.

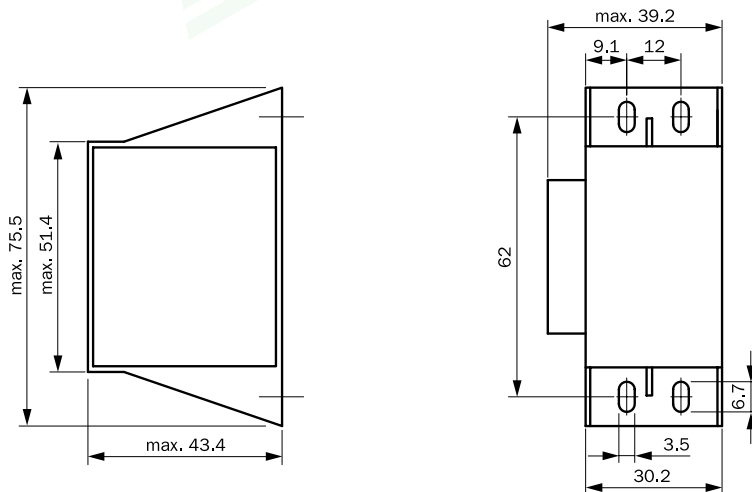
#### Type cast housing "A" with fixing band



View looking onto pins

Dimensions without tolerances  $\pm 0.3$  mm, rights to make alterations and improvements hereby reserved

#### Type cast housing "C" for upright mounting



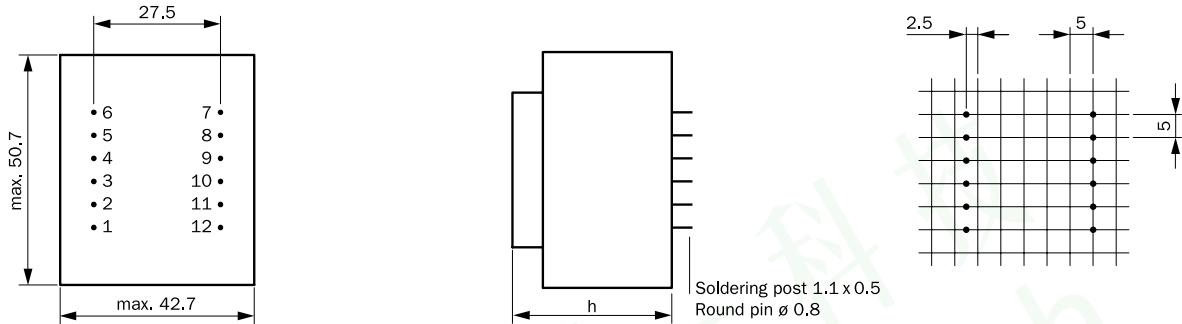
View looking onto pins

Dimensions without tolerances  $\pm 0.3$  mm, rights to make alterations and improvements hereby reserved

## Printed-Circuit-Board transformers

### Output Power: up to 10.0 VA

Connecting pins type cast housing "A"



View looking onto pins

Dimensions without tolerances  $\pm 0.3$  mm,  
rights to make alterations and improvements hereby reserved

**Type cast housing: "A"**

**7.0 VA ta 70 °C**

Frame size/Core height  
MCT EI 480 . /12.5 mm  
non short circuit-proof  
no load power loss  
type. 2.3 W

Order No.	Primary Voltage V	Connecting pins prim.	Secondary voltage V	Current sec.mA	Connecting pins sec.	No-load Voltage V	Connection scheme
MCT EI 480 1385	230	1-6	1×6	1167	8-11	1×7.9	1
MCT EI 480 1386	230	1-6	2×6	583	7-8/11-12	2×7.9	2
MCT EI 480 1387	230	1-6	1×7.5	933	8-11	1×9.8	1
MCT EI 480 1388	230	1-6	2×7.5	467	7-8/11-12	2×9.8	2
MCT EI 480 1389	230	1-6	1×9	788	8-11	1×11.8	1
MCT EI 480 1390	230	1-6	2×9	388	7-8/11-12	2×11.8	2
MCT EI 480 1391	230	1-6	1×12	583	8-11	1×15.8	1
MCT EI 480 1392	230	1-6	2×12	292	7-8/11-12	2×15.8	2
MCT EI 480 1393	230	1-6	1×15	467	8-11	1×19.5	1
MCT EI 480 1394	230	1-6	2×15	233	7-8/11-12	2×19.5	2
MCT EI 480 1395	230	1-6	1×18	389	8-11	1×23.3	1
MCT EI 480 1396	230	1-6	2×18	195	7-8/11-12	2×23.3	2
MCT EI 480 1397	230	1-6	1×21	333	8-11	1×27.5	1
MCT EI 480 1398	230	1-6	1×24	292	8-11	1×31.3	1

**Type cast housing: "A"**

**10.0 VA ta 70 °C**

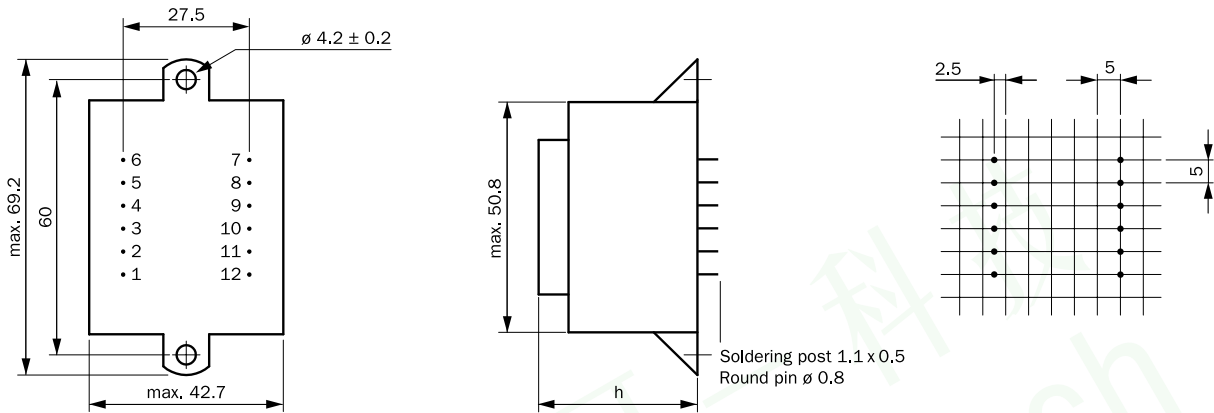
Frame size/Core height  
MCT EI 481 . /16.8 mm  
non short circuit-proof  
no load power loss  
type. 2.0 W

Order No.	Primary Voltage V	Connecting pins prim.	Secondary voltage V	Current sec.mA	Connecting pins sec.	No-load Voltage V	Connection scheme
MCT EI 481 1325	230	1-6	1×6	1167	8-11	1×7.6	1
MCT EI 481 1305	230	1-6	2×6	833	7-8/11-12	2×7.6	2
MCT EI 481 1312	230	1-6	1×7.5	1333	8-11	1×9.8	1
MCT EI 481 1326	230	1-6	2×7.5	667	7-8/11-12	2×9.8	2
MCT EI 481 1291	230	1-6	1×9	1111	8-11	1×11.5	1
MCT EI 481 1271	230	1-6	2×9	556	7-8/11-12	2×11.5	2
MCT EI 481 1295	230	1-6	1×12	834	8-11	1×15.5	1
MCT EI 481 1327	230	1-6	2×12	417	7-8/11-12	2×15.3	2
MCT EI 481 1323	230	1-6	1×15	667	8-11	1×18.6	1
MCT EI 481 1324	230	1-6	2×15	333	7-8/11-12	2×18.6	2
MCT EI 481 1307	230	1-6	1×18	556	8-11	1×22.3	1
MCT EI 481 1328	230	1-6	2×18	278	7-8/11-12	2×22.3	2
MCT EI 481 1381	230	1-6	1×21	477	8-11	1×25.1	1
MCT EI 481 1329	230	1-6	1×24	417	8-11	1×28.7	1

# Printed-Circuit-Board transformers

## Output Power: up to 12.0VA

Connecting pins type cast housing “B” with 2 fixing straps



View looking onto pins

Dimensions without tolerances  $\pm 0.3$  mm, rights to make alterations and improvements hereby reserved

### Type cast housing “B”

#### 10.0 VA ta 70 °C

Frame size/Core height

MCT EI 481 . /16.8 mm

non short circuit-proof

no load power loss

type. 2.0 W

Order No.	Primary Voltage V	Connecting pins prim.	Secondary voltage V	Current sec.mA	Connecting pins sec.	No-load Voltage V	Connection scheme
MCT EI 481 1142	230	1-6	1×6	1167	8-11	1×7.6	1
MCT EI 481 1134	230	1-6	2×6	833	7-8/11-12	2×7.6	2
MCT EI 481 1182	230	1-6	1×7.5	1333	8-11	1×9.8	1
MCT EI 481 1188	230	1-6	2×7.5	667	7-8/11-12	2×9.8	2
MCT EI 481 1167	230	1-6	1×9	1111	8-11	1×11.5	1
MCT EI 481 1118	230	1-6	2×9	556	7-8/11-12	2×11.5	2
MCT EI 481 1172	230	1-6	1×12	834	8-11	1×15.5	1
MCT EI 481 1119	230	1-6	2×12	417	7-8/11-12	2×15.3	2
MCT EI 481 1184	230	1-6	1×15	667	8-11	1×18.6	1
MCT EI 481 1120	230	1-6	2×15	333	7-8/11-12	2×18.6	2
MCT EI 481 1185	230	1-6	1×18	556	8-11	1×22.3	1
MCT EI 481 1192	230	1-6	2×18	278	7-8/11-12	2×22.3	2
MCT EI 481 1273	230	1-6	1×21	477	8-11	1×25.1	1
MCT EI 481 1186	230	1-6	1×24	417	8-11	1×28.7	1

### Type cast housing “B”

#### 12.0 VA ta 70 °C

Frame size/Core height

MCT EI 482 . /20.5 mm

non short circuit-proof

no load power loss

type. 1.8 W

Order No.	Primary Voltage V	Connecting pins prim.	Secondary voltage V	Current sec.mA	Connecting pins sec.	No-load Voltage V	Connection scheme
MCT EI 482 1231	230	1-6	1×6	2000	8-11	1×8.3	1
MCT EI 482 1232	230	1-6	2×6	1000	7-8/11-12	2×8.3	2
MCT EI 482 1233	230	1-6	1×7.5	1600	8-11	1×10.6	1
MCT EI 482 1236	230	1-6	2×7.5	800	7-8/11-12	2×10.6	2
MCT EI 482 1237	230	1-6	1×9	1333	8-11	1×12.4	1
MCT EI 482 1238	230	1-6	2×9	667	7-8/11-12	2×12.4	2
MCT EI 482 1239	230	1-6	1×12	1000	8-11	1×16.3	1
MCT EI 482 1240	230	1-6	2×12	500	7-8/11-12	2×16.3	2
MCT EI 482 1241	230	1-6	1×15	800	8-11	1×19.9	1
MCT EI 482 1242	230	1-6	2×15	400	7-8/11-12	2×19.9	2
MCT EI 482 1243	230	1-6	1×18	667	8-11	1×23.5	1
MCT EI 482 1234	230	1-6	2×18	333	7-8/11-12	2×23.5	2
MCT EI 482 1382	230	1-6	1×21	572	8-11	1×26.1	1
MCT EI 482 1244	230	1-6	1×24	500	8-11	1×30.3	1

## Printed-Circuit-Board transformers

### Output Power: up to 15.0 VA

#### Type cast housing "B"

#### 15.0 VA ta 70 °C

Frame size/Core height

MCT EI 483 . /25.5 mm

non short circuit-proof

no load power loss

type. 2.5 W

Order No.	Primary Voltage V	Connecting pins prim.	Secondary voltage V	Current sec.mA	Connecting pins sec.	No-load Voltage V	Connection scheme
MCT EI 483 1260	230	1-6	1×6	2500	8-11	1×7.8	1
MCT EI 483 1257	230	1-6	2×6	1250	7-8/11-12	2×7.8	2
MCT EI 483 1258	230	1-6	1×7.5	2000	8-11	1×9.5	1
MCT EI 483 1245	230	1-6	2×7.5	1000	7-8/11-12	2×9.5	2
MCT EI 483 1246	230	1-6	1×9	1667	8-11	1×12.0	1
MCT EI 483 1247	230	1-6	2×9	833	7-8/11-12	2×12.0	2
MCT EI 483 1248	230	1-6	1×12	1250	8-11	1×15.9	1
MCT EI 483 1249	230	1-6	2×12	625	7-8/11-12	2×15.9	2
MCT EI 483 1250	230	1-6	1×15	1000	8-11	1×19.1	1
MCT EI 483 1251	230	1-6	2×15	500	7-8/11-12	2×19.1	2
MCT EI 483 1252	230	1-6	1×18	833	8-11	1×22.8	1
MCT EI 483 1259	230	1-6	2×18	417	7-8/11-12	2×22.8	2
MCT EI 483 1302	230	1-6	1×21	714	8-11	1×26.0	1
MCT EI 483 1253	230	1-6	1×24	625	8-11	1×30.6	1