

## Printed-Circuit-Board transformers

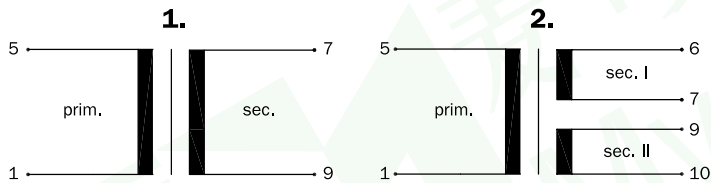
### Output Power: 6.0 VA

- Output Power up to 6.0 VA
- Non short-circuit-proof at temperature class ta 70 ° C
- Standard type cast housing “B” and “A”
- Excellent temperature fluctuation resistance properties
- High electrical safety and long service life features
- High voltage resistance
- Self-extinguishing cast housing and sealing material
- Per item tested quality with certificate

Protection external secondary by:

- Micro fuse according to IEC 127 or
- PTC resistance

**Connection scheme** (only connected pins are present)



2.) double voltage – bridge: 7 + 9, double current – bridge: 6 + 9/7 + 10

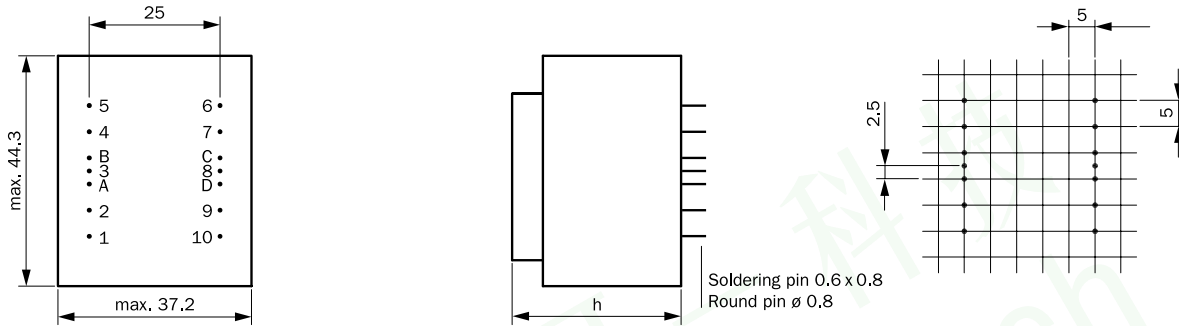
Frame size/Core height	Output Power Ta 70° C	Height(h)	Weight	Packaging unit
MCT EI 422/14.8 mm	6.0V/A	32.3mm	0.200g	40/50 pieces*

\* it depends on kind of cast housing

## Printed-Circuit-Board transformers

### Output Power: 6.0 VA

#### Connecting pins type cast housing “A”



View looking onto pins

Dimensions without tolerances  $\pm 0.3$  mm,  
rights to make alterations and improvements hereby reserved

#### Type cast housing “A”

#### 6.0 VA ta 70 °C

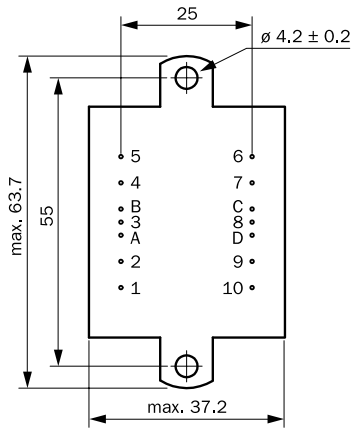
Frame size/Core height  
MCT EI 422 .... /14.8  
mm  
non short circuit-proof  
no load power loss  
type. 1.3 W

Order No.	Primary Voltage V	Connecting pins prim.	Secondary voltage V	Current sec.mA	Connecting pins sec.	No-load Voltage V	Connection scheme
MCT EI 422 1320	230	1-5	1×6	1000	7-9	1×8.7	1
MCT EI 422 1298	230	1-5	2×6	500	6-7/9-10	2×8.7	2
MCT EI 422 1303	230	1-5	1×7.5	800	7-9	1×10.9	1
MCT EI 422 1304	230	1-5	2×7.5	400	6-7/9-10	2×10.9	2
MCT EI 422 1285	230	1-5	1×9	667	7-9	1×13.0	1
MCT EI 422 1281	230	1-5	2×9	334	6-7/9-10	2×13.0	2
MCT EI 422 1275	230	1-5	1×12	500	7-9	1×16.7	1
MCT EI 422 1260	230	1-5	2×12	250	6-7/9-10	2×16.7	2
MCT EI 422 1276	230	1-5	1×15	400	7-9	1×20.2	1
MCT EI 422 1305	230	1-5	2×15	200	6-7/9-10	2×20.6	2
MCT EI 422 1289	230	1-5	1×18	334	7-9	1×24.6	1
MCT EI 422 1306	230	1-5	2×18	167	6-7/9-10	2×24.6	2
MCT EI 422 1355	230	1-5	1×21	285	7-9	1×27.1	1
MCT EI 422 1307	230	1-5	1×24	250	7-9	1×30.8	1

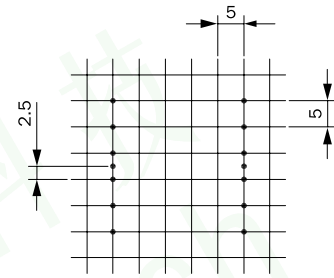
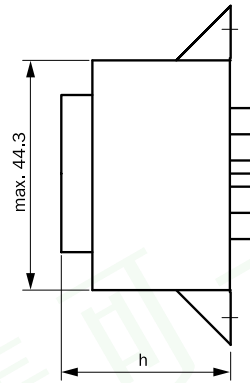
## Printed-Circuit-Board transformers

### Output Power: 6.0 VA

Connecting pins type cast housing “B” with 2 fixing straps



View looking onto pins



Soldering pin 0.6 x 0.8  
Round pin  $\varnothing 0.8$

Dimensions without tolerances  $\pm 0.3$  mm,  
rights to make alterations and improvements hereby reserved

Type cast housing “B”

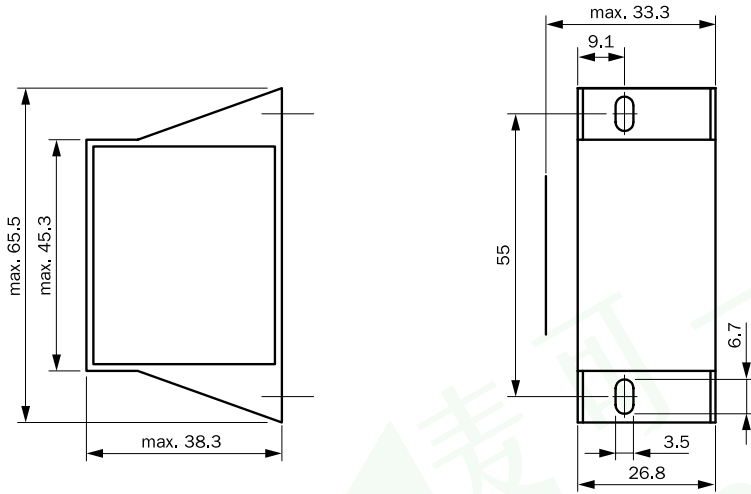
6.0 VA ta 70 °C

Frame size/Core height  
MCT EI 422 .... /14.8  
mm  
non short circuit-proof  
no load power loss  
type. 1.3 W

Order No.	Primary Voltage V	Connecting pins prim.	Secondary voltage V	Current sec.mA	Connecting pins sec.	No-load Voltage V	Connection scheme
MCT EI 422 1218	230	1-5	1×6	1000	7-9	1×8.7	1
MCT EI 422 1219	230	1-5	2×6	500	6-7/9-10	2×8.7	2
MCT EI 422 1220	230	1-5	1×7.5	800	7-9	1×10.9	1
MCT EI 422 1221	230	1-5	2×7.5	400	6-7/9-10	2×10.9	2
MCT EI 422 1222	230	1-5	1×9	667	7-9	1×13.0	1
MCT EI 422 1223	230	1-5	2×9	334	6-7/9-10	2×13.0	2
MCT EI 422 1224	230	1-5	1×12	500	7-9	1×16.7	1
MCT EI 422 1225	230	1-5	2×12	250	6-7/9-10	2×16.7	2
MCT EI 422 1226	230	1-5	1×15	400	7-9	1×20.2	1
MCT EI 422 1227	230	1-5	2×15	200	6-7/9-10	2×20.6	2
MCT EI 422 1228	230	1-5	1×18	334	7-9	1×24.6	1
MCT EI 422 1229	230	1-5	2×18	167	6-7/9-10	2×24.6	2
MCT EI 422 1354	230	1-5	1×21	285	7-9	1×27.1	1
MCT EI 422 1230	230	1-5	1×24	250	7-9	1×30.8	1

## Printed-Circuit-Board transformers Output Power: 6.0 VA

Connecting pins type cast housing “C” for upright mounting



View looking onto pins

Dimensions without tolerances  $\pm 0.3$  mm,  
rights to make alterations and improvements hereby reserved