

## FEATURES:

- Wireless Charging Receiver single Coil (11.5μH)
- Outline Dimensions: 47.0mm x 38.0mm x 0.86mm
- For Rx applications
- High permeability shielding to protect sensitive electronics
- Durable construction
- RoHS Compliant & Pb free.

## APPLICATIONS:

- Batteries and Battery Chargers
- Consumer Electronics
- Smart Watches
- Digital Cameras and Camcorders
- Wireless Charging Stations
- Mobile Phones & Charging Accessories
- Power Supplies
- Power Tool Manufacturers

## DESCRIPTION & KEY ELECTRICAL SPECIFICATIONS

The MCTC47 is a Wireless Charging Coils that can be used in receive applications. This is a single coil design with inductance of 12μH.

### Maximum Ratings

Part Number	Inductance	DC Resistance	Q	Operating Temperature Range
MCTC47	11.5μH ±5%	160 mΩ ± 20%	34±30%	T=-25°C ~ 85°C, RH≤ 90%.
Test Condition	100KHz / 1V	20±10°C	100KHz/1V	Storage Temperature Range
Test Environment	Temperature: 20±10°C, RH: 65% ±20% Equipment: Chroma11025			-25°C~85°C, 70%RH (Max.)

### Test Conditions

Ambient Temperature: 20±10°C, RH: 65% ±20%.

If any doubt on the results, measurements/tests should be made within the following limits:

Ambient Temperature: 20±2°C, RH: 65%±5%

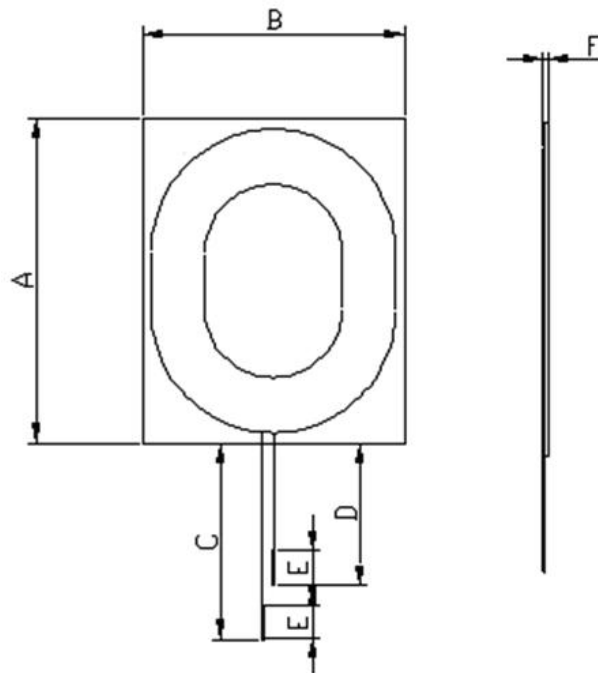
## STORAGE AND OPERATIONAL CONDITION:

### Storage condition

- ❖ Recommended storage conditions: -25°C~85°C, 70%RH (Max.)
- ❖ Service life: Within the limits of six month from being produced.
- ❖ The appearance and solder ability should be check, if product is not in expiry date.

### Operation Conditions

Use condition limit: T=-25°C ~ 85°C,RH≤ 90%.

**DIMENSIONS:**


Item	A	B	C	D	E	F
Spec	47±1	38±1	26±2	18±2	2.5±1	0.86 Max

**WINDING DETAIL:**

No.	Wire	Number of turns	Inductance
1	ø 0.32*2p	13 Turns, 1 Layer	11.5±5%μH

- ❖ Wave Soldering Profile: Not suitable for wave soldering
- ❖ Manual Soldering: 350°C Max, 3secs
- ❖ Packaging: Box, 100pcs MOQ