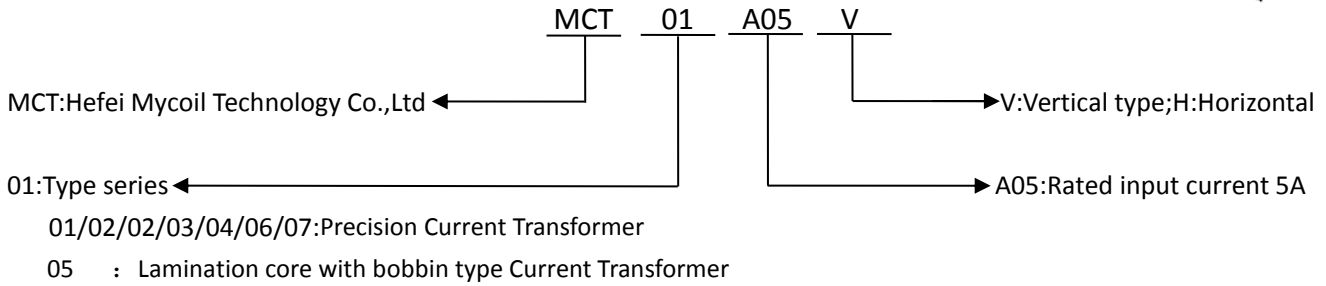


I.Features

PBT case-resistance to high temperature and corrosion.
 Epoxy risen-perfect isolation and resistance to strong impact.
 Small in size and easy to installation.
 Good linearity.



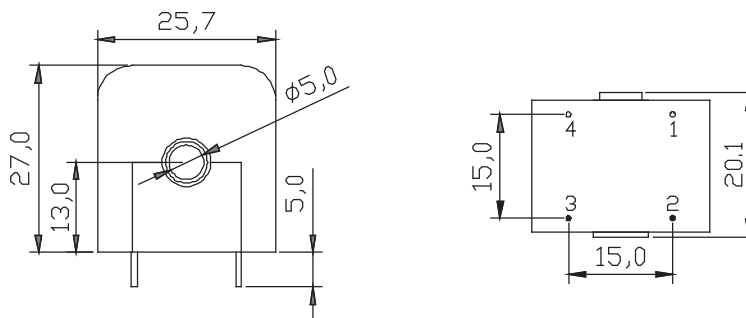
II.Naming Rules



III.Specification

MCT PN	Rated IN/OUT	Accuracy	Linearity Range	Phase shift	Load resistance	Isolated withstand voltage	Threading aperture, Unit:mm
MCT13A05	5A/5mA	0.5	0~20A	≤15'	≤50 Ω	3000V	Φ5
MCT13A20	20A/5mA	0.5	0~30A	≤15'	≤500 Ω	3000V	Φ5

IV.Dimension: mm



V.Notification

Operating temperature: -40° C~50° C
 Storage temperature:-40° C~70° C
 Relative humidity:10~95%
 Power supply is needed when the operational amplifier is added to the transformer,e.g. ±15V, ±12V or according to the actual operation.
 OP07 series of operational amplifier is recommended.
 The fixed temperature coefficient of resistance in the circuit must be over 50PPM.
 Welcome customized type requirements.

VI.Recommended Circuit

