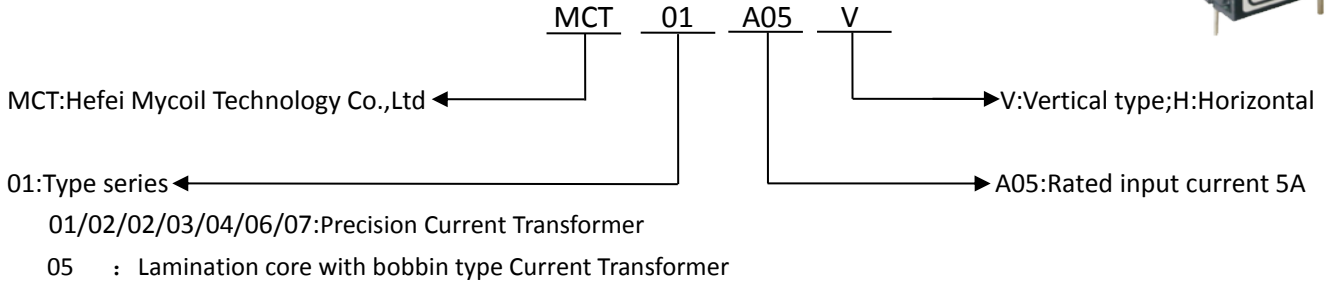


**I.Features**

- PBT case-resistance to high temperature and corrosion.
- Epoxy risen-perfect isolation and resistance to strong impact.
- Small in size and easy to installation.
- Good linearity.



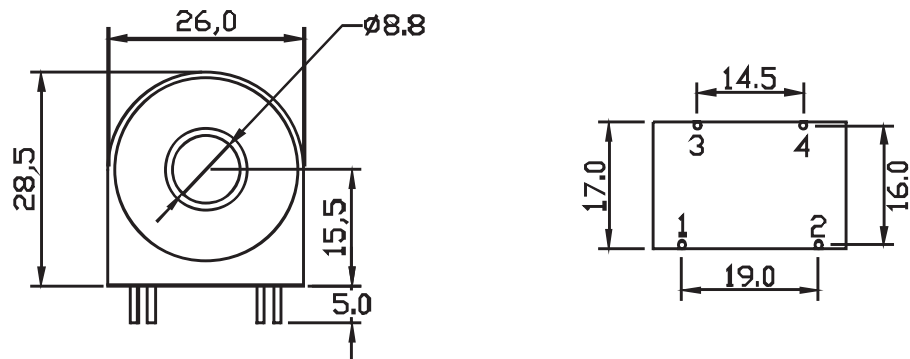
**II.Naming Rules**



**III.Specification**

MCT PN	Rated IN/OUT	Accuracy	Linearity Range	Phase shift	Load resistance	Isolated withstand voltage	Threading aperture, Unit:mm
MCT06A30	30A/5mA	0.2	0~60A	≤10'	≤800 Ω	3000V	Φ8.80
MCT06A50	50A/10mA	0.2	0~100A	≤10'	≤500 Ω	3000V	Φ8.80

**IV.Dimension: mm**



**V.Notification**

- Operating temperature: -40° C~50° C
- Storage temperature:-40° C~70° C
- Relative humidity:10~95%
- Power supply is needed when the operational amplifier is added to the transformer,e.g. ±15V, ±12V or according to the actual operation.
- OP07 series of operational amplifier is recommended.
- The fixed temperature coefficient of resistance in the circuit must be over 50PPM.
- Welcome customized type requirements.

**VI.Recommended Circuit**

