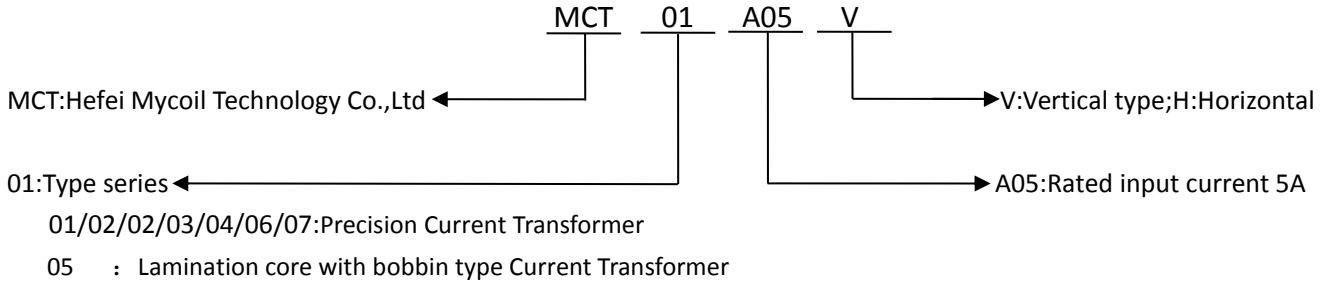


I.Features

- PBT case-resistance to high temperature and corrosion.
- Epoxy risen-perfect isolation and resistance to strong impact.
- Small in size and easy to installation.
- Good linearity.



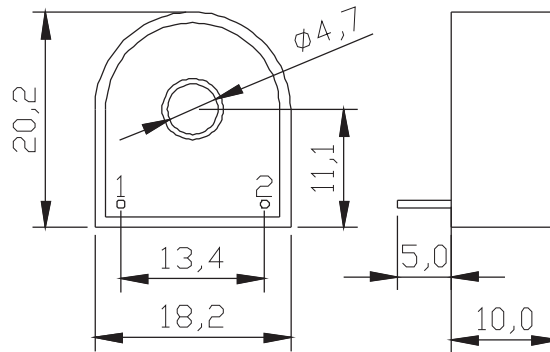
II.Naming Rules



III.Specification

MCT PN	Rated IN/OUT	Accuracy	Linearity Range	Phase shift	Load resistance	Isolated withstand voltage	Threading aperture, Unit:mm
MCT04A05AH	5A/2mA	0.5	0~15A	≤15'	≤200 Ω	3000V	Φ4.70
MCT04A05BH	5A/2.5mA	0.5	0~15A	≤15'	≤200 Ω	3000V	Φ4.70
MCT04A05CH	5A/5mA	0.5	0~10A	≤15'	≤50 Ω	3000V	Φ4.70

IV.Dimension: mm



V.Notification

- Operating temperature: -40° C~50° C
- Storage temperature:-40° C~70° C
- Relative humidity:10~95%
- Power supply is needed when the operational amplifier is added to the transformer,e.g. ±15V, ±12V or according to the actual operation.
- OP07 series of operational amplifier is recommended.
- The fixed temperature coefficient of resistance in the circuit must be over 50PPM.
- Welcome customized type requirements.

VI.Recommended Circuit

