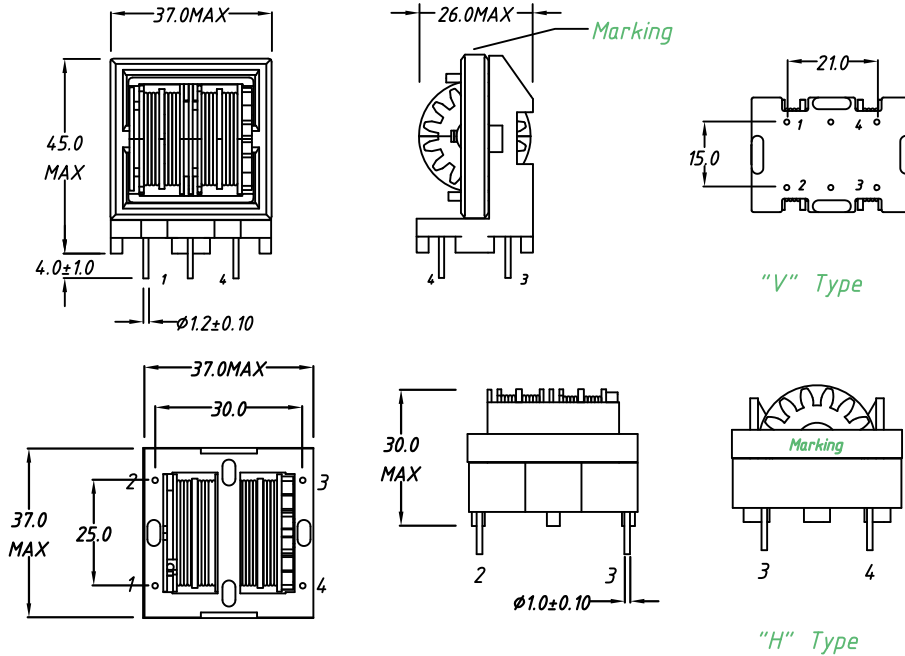
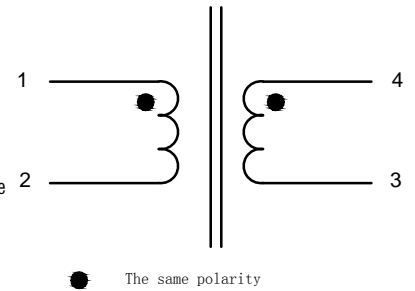


ET35 Series



- Working frequency: 20kHz~500kHz
- Working temperature: -40°C~+125°C
- Storage temperature: +85°C~-25°C
- Storage humidity: 30 to 95%
- Common mode inductor has the characteristics of moderate size, easy to make, low cost and high reliability.
- Weight: ≈30.0g.



MCT P\N		Inductance: mH (1-2)(4-3)	DCR: Ω @25°C	Rated current 50Hz(A)
MCTET35V333Y1R5	MCTET35H333Y1R5	33.0	0.4	1.50
MCTET35V223Y1R8	MCTET35H223Y1R8	22.0	0.3	1.80
MCTET35V183Y2R0	MCTET35H183Y2R0	18.0	0.2	2.00
MCTET35V153Y2R2	MCTET35H153Y2R2	15.0	0.2	2.20
MCTET35V123Y2R5	MCTET35H123Y2R5	12.0	0.2	2.50
MCTET35V103Y2R7	MCTET35H103Y2R7	10.0	0.13	2.70
MCTET35V822Y3R3	MCTET35H822Y3R3	8.2	0.10	3.00
MCTET35V562Y3R5	MCTET35H562Y3R5	5.6	0.08	3.50
MCTET35V472Y4R0	MCTET35H472Y4R0	4.7	0.06	4.00

- Small size and large inductance
- Excellent attenuation characteristics in low frequency.
- Dimension does not include solder used on coil.