

MCT-CT-B 系列电流变送器是应用电磁感应原理研制而成的一种新型电流变送器，初级与次级之间高度绝缘。用于交流电流的测量。

MCT-CT-B series current transducer is applied the principle of electromagnetic induction, developed a new type of current transmitter, between primary and secondary high insulation. It provides accurate electronic measurement AC currents.



电参数 Electrical data(Ta=25℃±5℃)

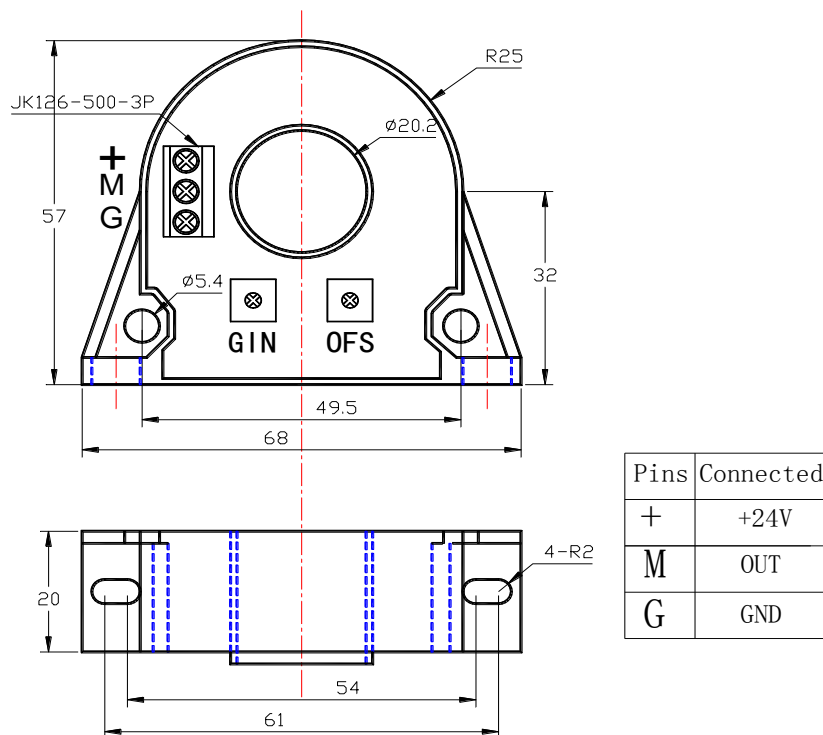
型号 Type	MCT-CT 1.0B	MCT-CT 2.0B	MCT-CT 5.0B	MCT-CT 10B	MCT-CT 20B	MCT-CT 50B	MCT-CT 100B	单位 Unit
参数 Parameter								
额定输入电流(I _p AC) Rated current (I _p AC)	1.0	2.0	5.0	10	20	50	100	A
测量电流范围(I _p AC) Measuring range (I _p AC)	2.0	4.0	10	20	40	100	200	A
匝比 (N _p /N _s) Turns ratio(N _p /N _s)	1:200	1:200	1:500	1:1000	1:1000	1:2000	1:2000	T
额定输出电流(I _o DC) Rated output (I _o DC)	@I _p =I _p n AC 4~20±1.0%							mA
电源电压 Supply voltage	+24V ±5%							V
功耗电流 Power consumption	≤20+I _p X (N _p /N _s)							mA
零点电流 Zero current	@I _p =0 4±0.1							mA
零点电流温漂 Zero drift	@ -40~85℃ ≤±0.05							mA/℃
线性度 Linearity	@ I _p =±I _p n ≤0.5							%FS
响应时间 Response time	≤200							mS
工作频率 Frequency	40~1000							Hz
绝缘电压 Galvanic isolation	@ 50HZ, AC , 1min 2.5							KV

应用 Applications

- 变频调速系统 Variable speed drives
- 电焊机 Welding machine
- 通讯电源 Battery supplied applications
- 不间断电源 UPS Uninterruptible Power Supplies (UPS)
- 电化学 Electrochemical

结构参数 Mechanical dimension(for reference only)

1. All dimensions are in mm.
2. General tolerance $\pm 1\text{mm}$.



使用说明 Directions for use

1. 当待测电压从变送器穿过，即可在输出端测得电流大小。(注意：错误的接线可能导致变送器损坏)

When the current will be measured goes through a transmitter, the current will be measured at the output end.

(Note: The false wiring may result in the damage of the transmitter).

2. 变送器的输出幅度可根据用户需要进行适当调节。

Customs can adjust output amplitude of the transmitter by needs.

3. 可按用户需求定制不同额定输入电压和输出电压的变送器。

Custom design in the different rated input current and the output voltage are available.

执行标准 Standards

- UL94-V0.
- EN60947-1:2004
- IEC60950-1:2001
- EN50178:1998
- SJ 20790-2000

总体参数 General date

	数值 Value	单位 Unit	符号 Symbol
工作温度 Operating temperature	-40 to +85	°C	TA
储存温度 Storage temperature	-40 to +125	°C	TS
毛重(约) Mass(approx)	90	g	M