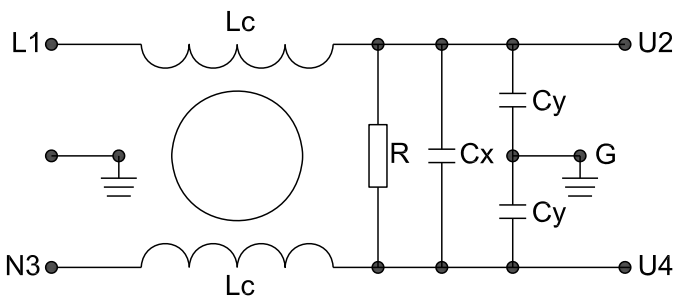


Description

- Home appliance suppression EMI filters –Cylindrical power line filter,unique mounting style
- Excellent interference suppression for CM and DM
- Using high quality materials,high ratio of performance to cost make
- Custom design acceptable
- welcome ODM/OEM

Electrical Schematic:

Fig 1
Typical Applications :

- Ditto Machine
- Washing Machines
- Coffee Machines
- Dishwashers
- Vacuum Cleaners
- Blenders
- Microwave Ovens
- Air Conditioners
- Vending Machines
- Other White Goods

Specification :

Rated Voltage:	120/250VAC
Operating frequency:	50/60Hz
Rated Current:	1A~20A
Temperature range :	HPF 25/085/21
Test voltage(1min):	
Line to ground :	2000VAC
Line to Line :	1450VDC

Data table:

MCT P/N:	Rated Current: A	Rated Voltage: V	Leakage Current: mA	Input/Output connections	Electrical Schematic:	Dimension
MCT3HE-6-1	6	120/250	0.5		1	22
MCT3HE-10-1	10	120/250	0.5		1	22
MCT3HE-16-1	16	120/250	1.0		1	22
MCT3HE-20-1	20	120/250	1.0		1	22

Dimension: unit :mm

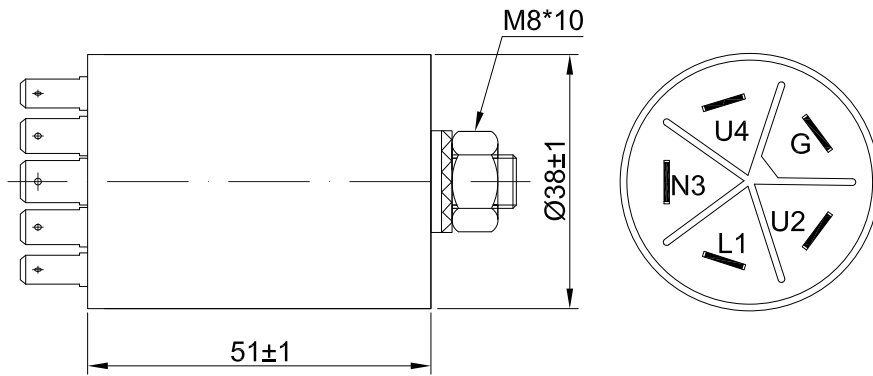
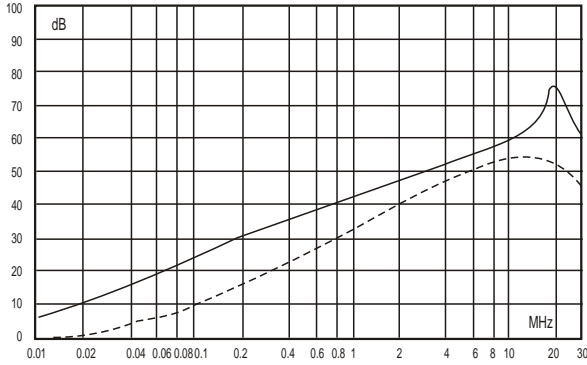


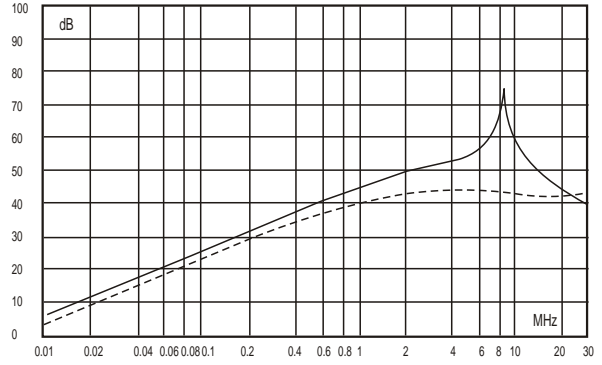
Fig 22

Insertion Loss in dB:

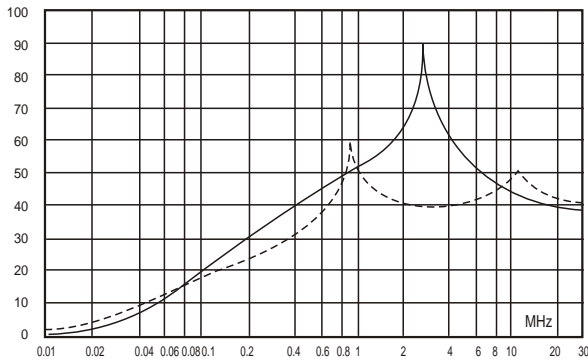
----- Differential Mode
 _____ Common Mode
 (Measured in 50Ω system, as IEC/CISPR NO.17)



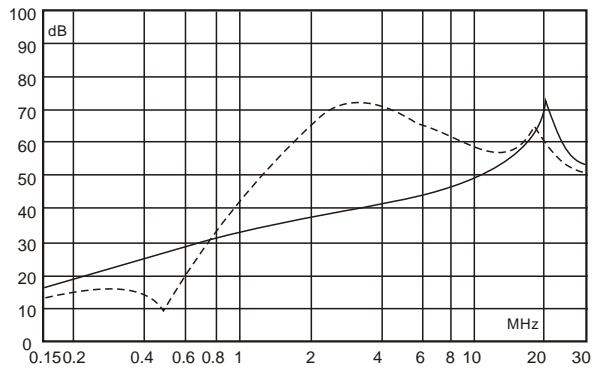
6A



10A



16A



20A