

Description

- Excellent interference suppression for Dv/Dt.
- Over-voltage protection, reduce the electromagnetic interference of inverter.
- Wide working current range from 5A to 1200A.
- High quality components ensure the safety and reliability of filters.
- As output filter for inverter, reduce the loss of inverter and motor choke.
- Various connection optional: bolt and busbar terminals.
- Custom design acceptable.

Electrical Schematic:

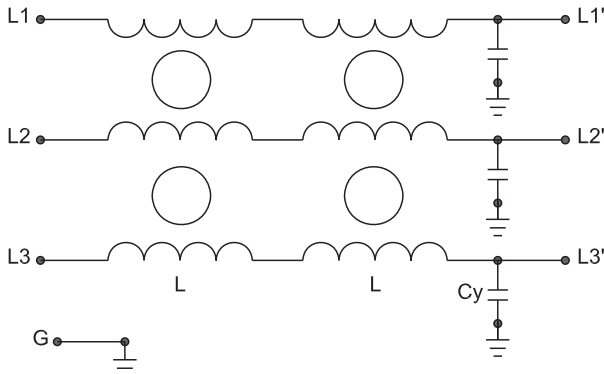


Fig 1








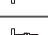
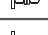
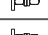

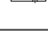




Typical Applications :

- Output filter for frequency inverter and converter, UPS, SMPS, three-phase motor drives.

Specification :

Rated Voltage:	250/440VAC
Rated Current:	5A~1200A
Operating Frequency:	50/60Hz
Temperature range :	HPF 25/085/21
Test Voltage (1min):	
Line to Ground:	1450VAC
Line to Line:	2700VAC
Insulation Resistance:	
Line to Ground:	≥3000MΩ
Line to Line:	≥6000MΩ

Data table:

MCT PN:	Rated Current: A	Rated Voltage: V	Leakage Current: mA	Inverter Power: KW	Input/Output connections:	Electrical Schematic:	Dimension:
MCT534INV-5-6	5	250/440/480	5	0.75/1.5		1	14
MCT534INV-8-6	8	250/440/480	5	2.2/3.7		1	14
MCT534INV-16-6	16	250/440/480	5	5.5/7.5		1	15
MCT534INV-30-6	30	250/440/480	5	11/15		1	15
MCT534INV-45-6	45	250/440/480	5	18.5/22.5		1	15
MCT534INV-75-6	75	250/440/480	10	30/37		1	16
MCT534INV-100-6	100	250/440/480	10	45		1	16
MCT534INV-120-6	120	250/440/480	10	55		1	16
MCT534INV-150-6	150	250/440/480	20	75		1	17
MCT534INV-200-6	200	250/440/480	20	93		1	17
MCT534INV-300-90	300	250/440/480	35	110/132/160		1	18
MCT534INV-400-90	400	250/440/480	35	187/200		1	18
MCT534INV-500-90	500	250/440/480	35	220/250		1	19
MCT534INV-630-90	630	250/440/480	35	280/315		1	19
MCT534INV-800-90	800	250/440/480	65	350/400/450		1	20
MCT534INV-1200-90	1200	250/440/480	65	500/600/630		1	20

Dimension: unit :mm

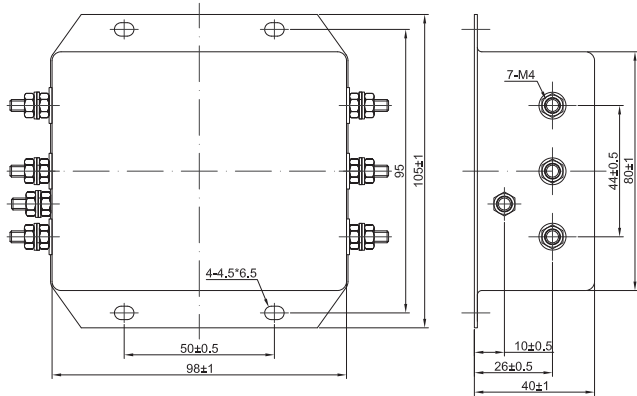


Fig 14

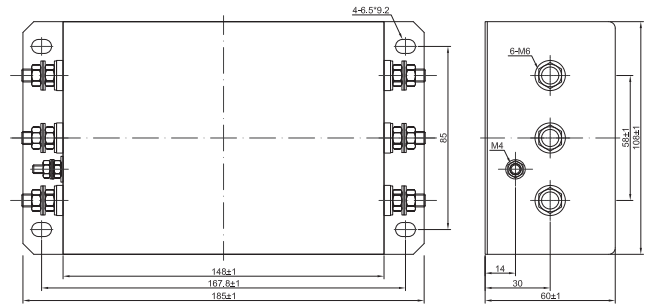


Fig 15

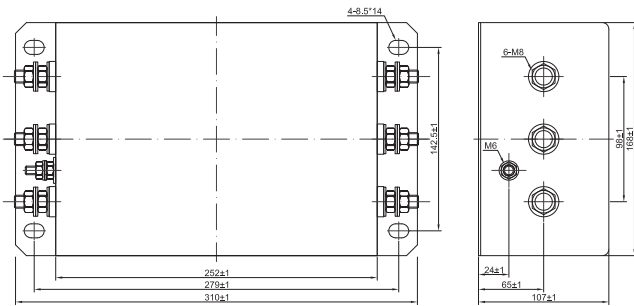


Fig 16

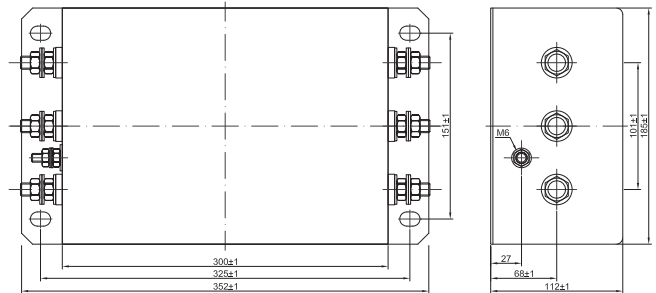
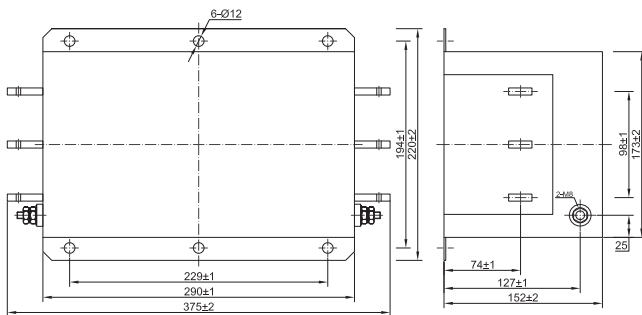
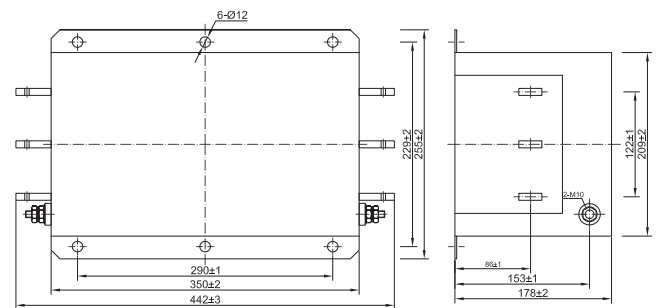


Fig 17



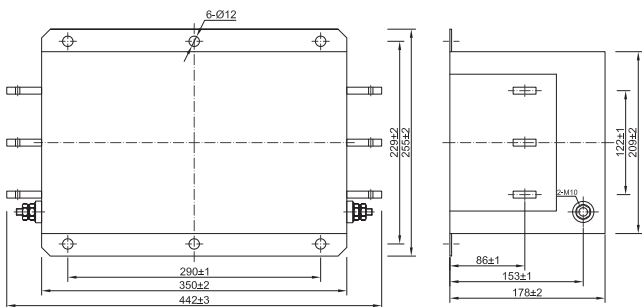
Connection:8*20=160MM²

Fig 18



Connection:8*30=240MM²

Fig 19



Connection:10*40=400MM²

Fig 20

Installation Diagram:

