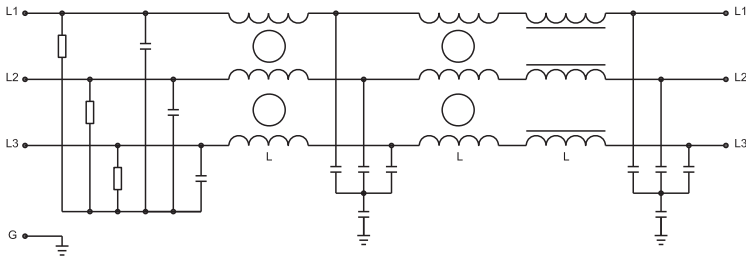


**Description**

- Excellent interference suppression performance for CM and DM.
- Wide working current range from 5A to 1200A.
- High quality components ensure the safety and reliability of filters.
- Various connection: bolt, busbar terminals.
- Custom design acceptable.








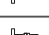
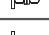
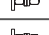

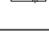




**Electrical Schematic:**

**Fig 1**
**Typical Applications :**

- High Interference Industrial Environment
- Three-phase variable speed motor drives and power drive systems(PDS)
- Inverters and converters
- Applications comprising energy conversion devices
- Process automation equipment
- HVAC equipment, elevators, power supplies, UPS and further three-phase applications

**Specification :**

Rated Voltage:	250/440/480 VAC
Rated Current:	5A~1200A
Operating Frequency:	50/60Hz
Temperature range :	HPF 25/085/21
Test Voltage ( 1min ):	
Line to Ground:	1450VAC
Line to Line:	2700VAC
Leakage current(max) :	
Line to Ground:	@250VAC/50Hz

**Data table:**

MCT P/N:	Rated Current: A	Rated Voltage: V	Leakage Current: mA	Inverter Power: KW	Input/Output connections:	Electrical Schematic:	Dimension:
MCT533INV-5-6	5	250/440/480	5	0.75/1.5		1	7
MCT533INV-8-6	8	250/440/480	5	2.2/3.7		1	7
MCT533INV-16-6	16	250/440/480	5	5.5/7.5		1	8
MCT533INV-30-6	30	250/440/480	5	11/15		1	8
MCT533INV-45-6	45	250/440/480	5	18.5/22.5		1	8
MCT533INV-75-6	75	250/440/480	10	30/37		1	9
MCT533INV-100-6	100	250/440/480	10	45		1	9
MCT533INV-120-6	120	250/440/480	10	55		1	9
MCT533INV-150-6	150	250/440/480	20	75		1	10
MCT533INV-200-6	200	250/440/480	20	93		1	10
MCT533INV-300-90	300	250/440/480	35	110/132/160		1	11
MCT533INV-400-90	400	250/440/480	35	187/200		1	11
MCT533INV-500-90	500	250/440/480	35	220/250		1	12
MCT533INV-630-90	630	250/440/480	35	280/315		1	12
MCT533INV-800-90	800	250/440/480	65	350/400/450		1	13
MCT533INV-1200-90	1200	250/440/480	65	500/600/630		1	13

Dimension: unit :mm

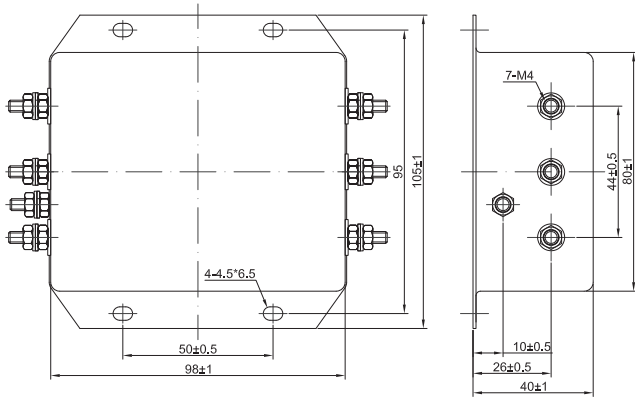


Fig 7

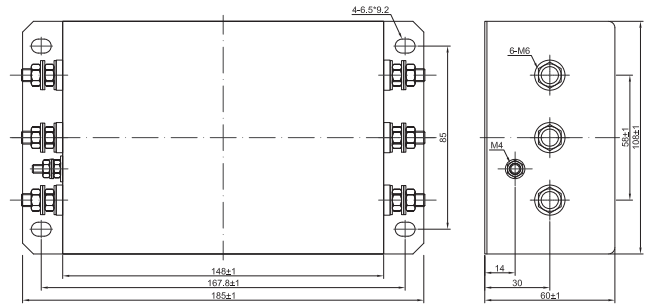


Fig 8

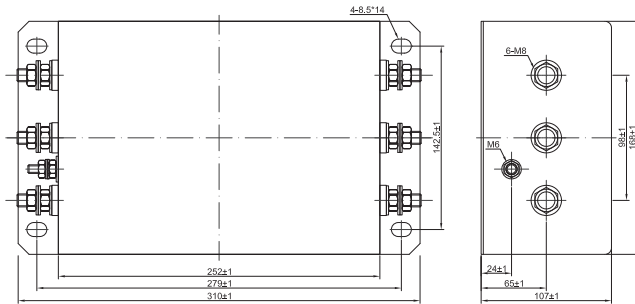


Fig 9

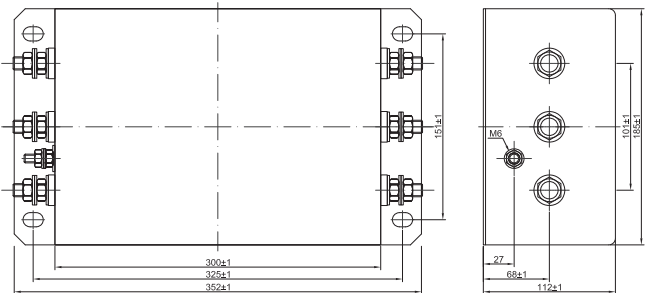
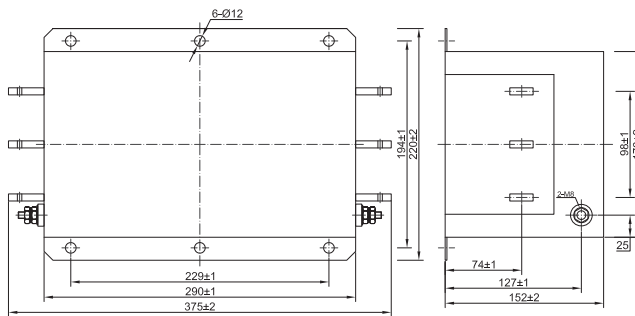
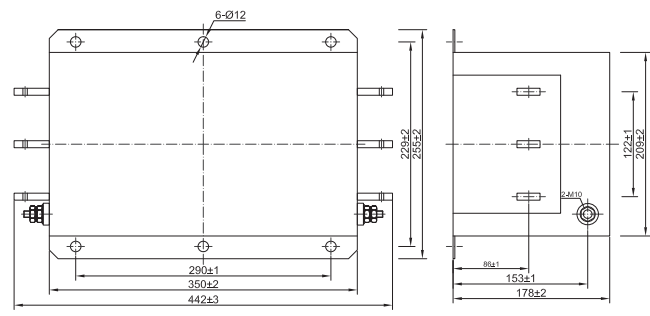


Fig 10



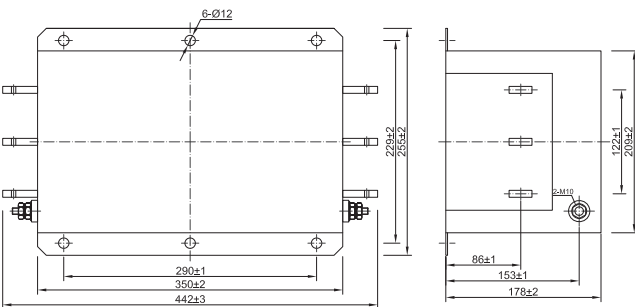
Connection:8\*20=160MM<sup>2</sup>

Fig 11



Connection:8\*30=240MM<sup>2</sup>

Fig 12



Connection:10\*40=400MM<sup>2</sup>

Fig 13

Installation Diagram:

