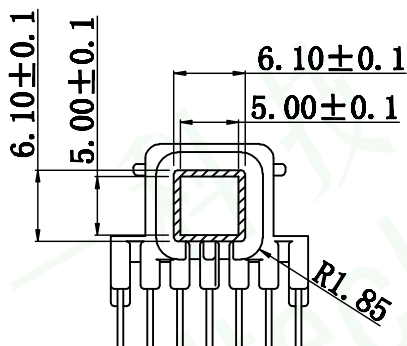
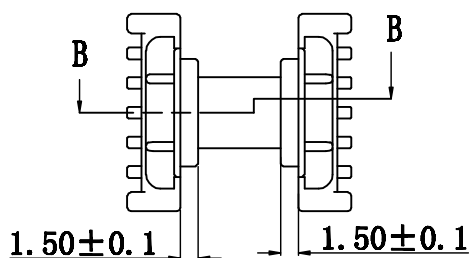
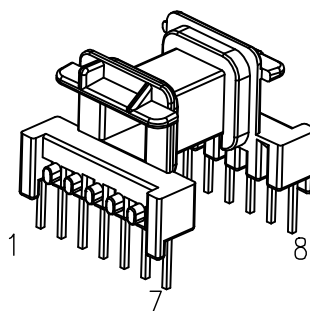
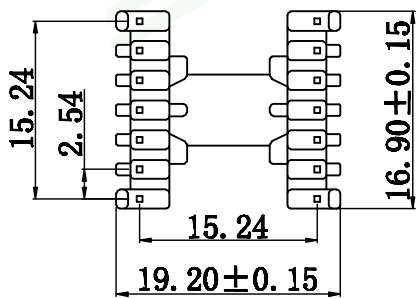
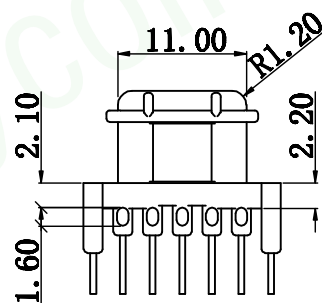
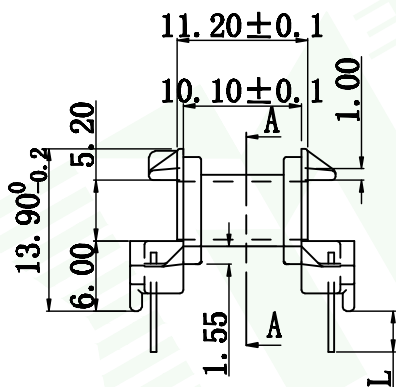


截面: B-B



截面: A-A



MODEL	EF-16(H/7+7P)		UNIT:	mm					
MATERIAL	PHENOLIC		SCALE:	1:1					
DRAWN BY	Una Wu	2014.3.18	UL REC:	94V-0	Hefei mycoil technology Co.,LTD				
CHECK BY	Jason Hu	2014.3.18	TOLERANCE			WEBSITE	www.mycoiltech.com		
			0 < L ≤ 6: ±0.1	6 < L ≤ 20: ±0.2	20 < L ≤ 50: ±0.3	50 < L: ±0.4	PIN PITCH: ±0.2	THICKNESS: ±0.15	ANGLE: ±1°
ISSUED BY	James Hu	2014.5.16				EMAIL	sales@mycoiltech.com		