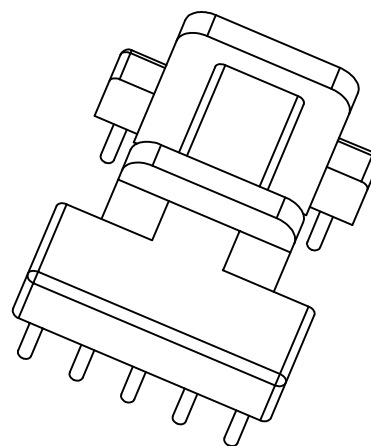
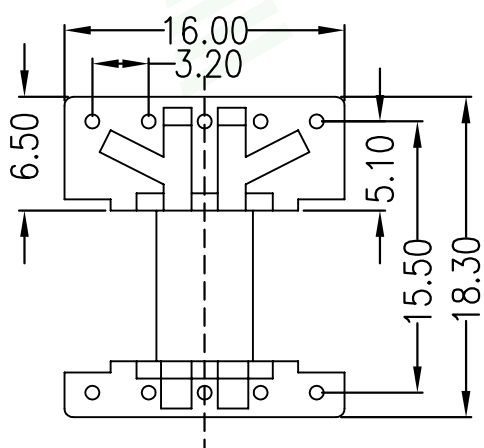
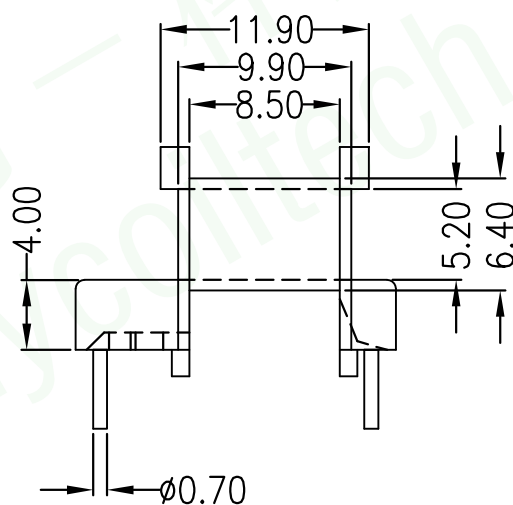
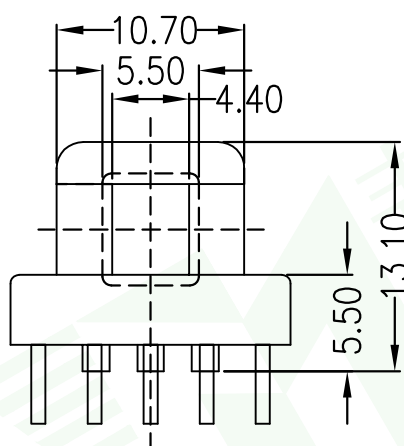
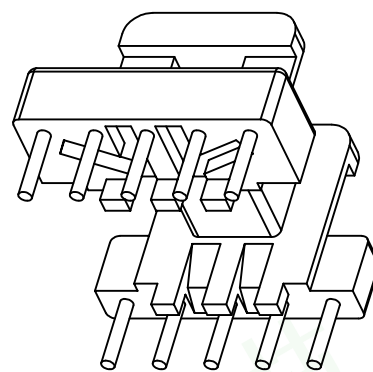


I



MODEL	EE-16(H/5+5P)		UNIT:	mm		
MATERIAL	T375HF		SCALE:	1:1		
DRAWN BY	Una Wu	2014.3.18	UL REC:	94V-0	Hefei mycoil technology Co.,LTD	
			TOLERANCE			
CHECK BY	Jason Hu	2014.3.18	0 <math><L \le 6</math>: $\pm 0.1$	PIN PITCH: $\pm 0.2$	WEBSITE	www.mycoiltech.com
ISSED BY	James Hu	2014.5.16	6 <math><L \le 20</math>: $\pm 0.2$	THICKNESS: $\pm 0.15$	TEL	(+86) 551 6619 6829
			20 <math><L \le 50</math>: $\pm 0.3$	ANGLE: $\pm 1^\circ$	EMAIL	sales@mycoiltech.com
			50 <math><L</math>: $\pm 0.4$	PIN DIA: $\pm 0.05$		