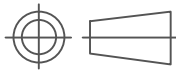



MODEL	EFD-30(H/6+6P)		UNIT:	mm		
MATERIAL	PHENOLIC		SCALE:	1:1		
DRAWN BY	Una Wu	2014.3.18	UL REC:	94V-0	Hefei mycoil technology Co.,LTD	
CHECK BY	Jason Hu	2014.3.18	TOLERANCE		WEBSITE	www.mycoiltech.com
			0 < L ≤ 6: ±0.1	PIN PITCH: ±0.2	TEL	(+86) 551 6619 6829
ISSED BY	James Hu	2014.5.16	6 < L ≤ 20: ±0.2	THICKNESS: ±0.15	EMAIL	sales@mycoiltech.com
			20 < L ≤ 50: ±0.3	ANGLE: ±1°		
			50 < L: ±0.4	PIN DIA: ±0.05		