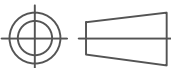




MODEL	EF-12.6(H/5+5P2F)		UNIT:	mm			
MATERIAL	PHENOLIC		SCALE:	1:1			
DRAWN BY	Una Chen	2014.3.18	UL REC:	94V-0	Hefei Mycoil Technology Co.,LTD WEB: www.mycoiltech.com TEL: (+86) 551 6619 6829 EMAIL: sales@mycoiltech.com		
CHECK BY	Jason Hu	2014.3.18	TOLERANCE				
ISSED BY	James Hu	2014.5.16	0 < L ≤ 6: ±0.1 6 < L ≤ 20: ±0.2 20 < L ≤ 50: ±0.3 50 < L: ±0.4	PIN PITCH: ±0.2 THICKNESS: ±0.15 ANGLE: ±1° PIN DIA: ±0.05			