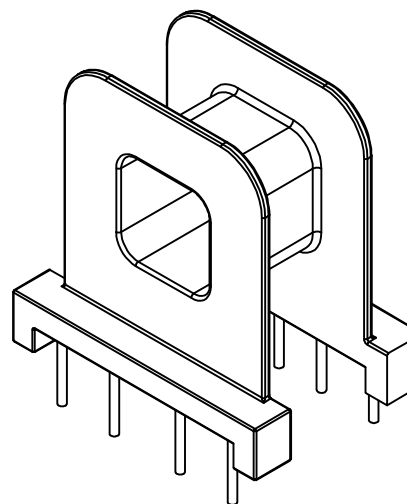
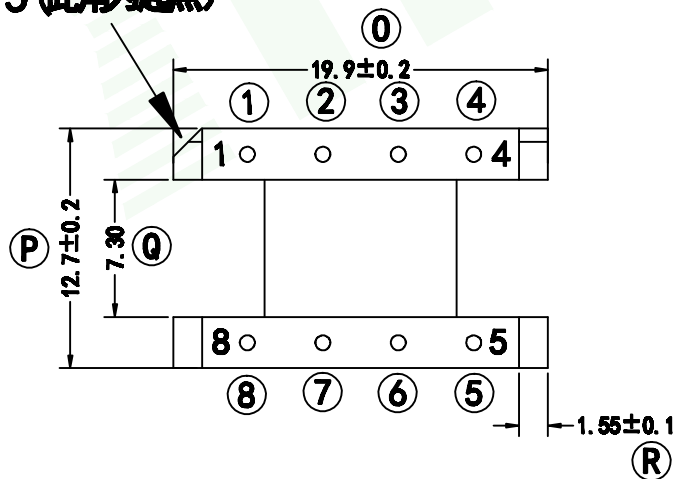


C1.5 (此角为起点)



拉拔力1.2kg以上

MODEL	ER-20(H/4+4P)		UNIT:	mm			
MATERIAL	T375HF		SCALE:	1:1			
DRAWN BY	Una Wu	2014.3.18	UL REC:	94V-0	Hefei mycoil technology Co.,LTD		
CHECK BY	Jason Hu	2014.3.18	TOLERANCE				
ISSUED BY	James Hu	2014.5.16	0 < L ≤ 6: ±0.1	PIN PITCH: ±0.2	WEBSITE: www.mycoiltech.com		
			6 < L ≤ 20: ±0.2				
			20 < L ≤ 50: ±0.3	ANGLE: ±1°	TEL: (+86) 551 6619 6829		
			50 < L: ±0.4	PIN DIA: ±0.05			