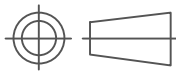



MODEL	EFD-20(H/4+7P8F)		UNIT:	mm			
MATERIAL	PHENOLIC		SCALE:	1:1			
DRAWN BY	Una Wu	2014.3.18	UL REC:	94V-0	Hefei mycoil technology Co.,LTD		
CHECK BY	Jason Hu	2014.3.18	TOLERANCE 0 < L ≤ 6: ±0.1 6 < L ≤ 20: ±0.2 20 < L ≤ 50: ±0.3 50 < L: ±0.4			WEBSITE	www.mycoiltech.com
						ISSED BY	James Hu
						EMAIL	sales@mycoiltech.com