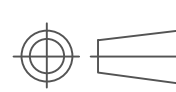



MODEL	PQ-38(V/6+4P)		UNIT:	mm		
MATERIAL	PHENOLIC		SCALE:	1:1		
DRAWN BY	Una Chen	2014.3.18	UL REC:	94V-0	Hefei Mycoil Technology Co.,LTD	
CHECK BY	Jason Hu	2014.3.18	TOLERANCE 0 < L ≤ 6: ±0.1 6 < L ≤ 20: ±0.2 20 < L ≤ 50: ±0.3 50 < L: ±0.4		WEB	www.mycoiltech.com
ISSUED BY	James Hu	2014.5.16			PIN PITCH: ±0.2	TEL
			THICKNESS: ±0.15	EMAIL	sales@mycoiltech.com	
			ANGLE: ±1°			
			PIN DIA: ±0.05			