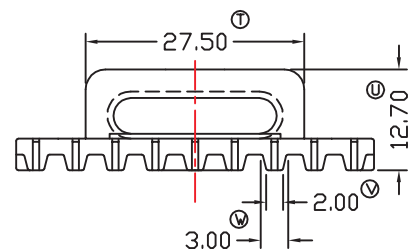
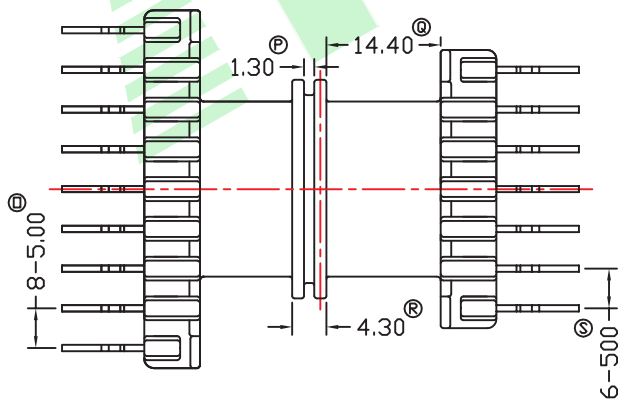
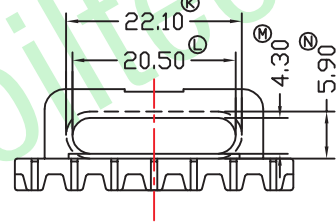


4.6\$% 5.1



MODEL	EFD-40(H/7+9P2F)		UNIT:	mm			
MATERIAL	PHENOLIC		SCALE:	1:1			
DRAWN BY	Una Chen	2014.3.18	UL REC:	94V-0	Hefei Mycoil Technology Co.,LTD		
CHECK BY	Jason Hu	2014.3.18	TOLERANCE			WEB	www.mycoiltech.com
			0 < L ≤ 6: ±0.1	6 < L ≤ 20: ±0.2	20 < L ≤ 50: ±0.3	50 < L: ±0.4	PIN PITCH: ±0.2
ISSUED BY	James Hu	2014.5.16				EMAIL	sales@mycoiltech.com