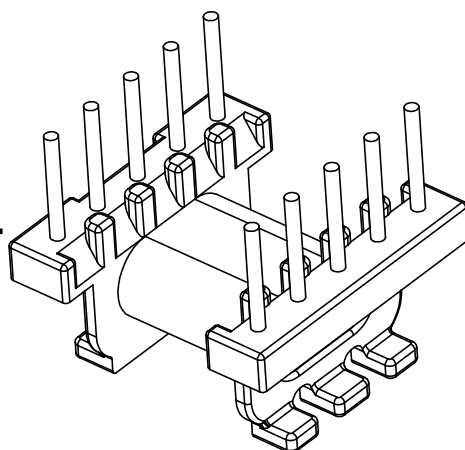


顶部飞线槽



| | | | | | | | | |
|----------|----------------|-----------|-------------------|------------------|-----------|--|---------------------------------|----------------------|
| MODEL | EPC-13(H/5+5P) | | UNIT: | mm | | | | 麦可一科技 Mycoiltech |
| MATERIAL | PHENOLIC | | SCALE: | 1:1 | | | | |
| DRAWN BY | Una Wu | 2014.3.18 | UL REC: | 94V-0 | TOLERANCE | | Hefei mycoil technology Co.,LTD | |
| CHECK BY | Jason Hu | 2014.3.18 | 0 < L ≤ 6: ±0.1 | PIN PITCH: ±0.2 | | | WEBSITE | www.mycoiltech.com |
| ISSED BY | James Hu | 2014.5.16 | 6 < L ≤ 20: ±0.2 | THICKNESS: ±0.15 | | | TEL | (+86) 551 6619 6829 |
| | | | 20 < L ≤ 50: ±0.3 | ANGLE: ±1° | | | EMAIL | sales@mycoiltech.com |
| | | | 50 < L: ±0.4 | PIN DIA: ±0.05 | | | | |