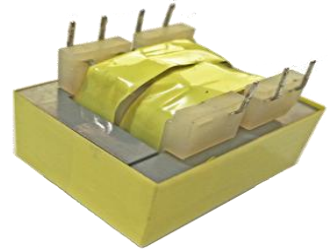


### EI57 Laminated transformers 20.0VA Series

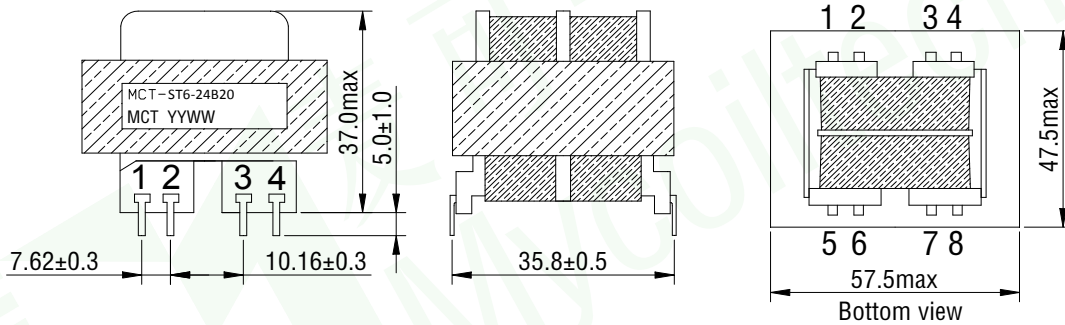
Low Frequency, Open-Style Laminated, Split Bobbin, Horizontal Plug-In Series

#### Features

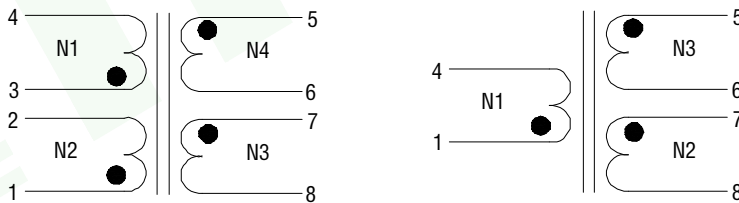
- ✧ High (2500V) isolation; 2500VRMS HIPOT
- ✧ Non-concentric design - eliminates ESS
- ✧ No crossover between primary/secondary winding leads
- ✧ Vacuum impregnated - withstands board washing systems and reduces audible noise
- ✧ Baked resin provides an environmentally-resistant finish
- ✧ Rugged construction - no additional mounting hardware
- ✧ Universal design, fits industry-standard footprints
- ✧ Available in single or dual primary



#### Mechanical:mm



#### Schematics



● Start  
Fig 1:DST=8 PIN

● Start  
Fig 2:ST=6 PIN

MCT Part No. 115V-6Pin	MCT Part No. 115V/230V-8Pin	Secondary RMS Rating	
		Series	Parallel
MCT-ST6-10B4	MCT-DST6-10B4	10V C.T. @ 2A	5V @ 4A
MCT-ST6-12B8	MCT-DST6-12B8	12.6V C.T. @ 1.6A	6.3V @ 3.2A
MCT-ST6-16B12	MCT-DST6-16B12	16V C.T. @ 1.25A	8V @ 2.5A
MCT-ST6-20B16	MCT-DST6-20B16	20V C.T. @ 1A	10V @ 2A
MCT-ST6-24B20	MCT-DST6-24B20	24V C.T. @ 0.8A	12V @ 1.6A
MCT-ST6-28B24	MCT-DST6-28B24	28V C.T. @ 0.7A	14V @ 1.4A
MCT-ST6-36B28	MCT-DST6-36B28	36V C.T. @ 0.55A	18V @ 1.1A
MCT-ST6-48B32	MCT-DST6-48B32	48V C.T. @ 0.4A	24V @ 0.8A
MCT-ST6-56B36	MCT-DST6-56B36	56V C.T. @ 0.35A	28V @ 0.7A
MCT-ST6-120B40	MCT-DST6-120B40	120V C.T. @ 0.16A	60V @ 0.32A