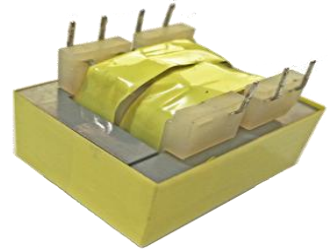


EI28 Laminated transformers 1.1VA Seriese

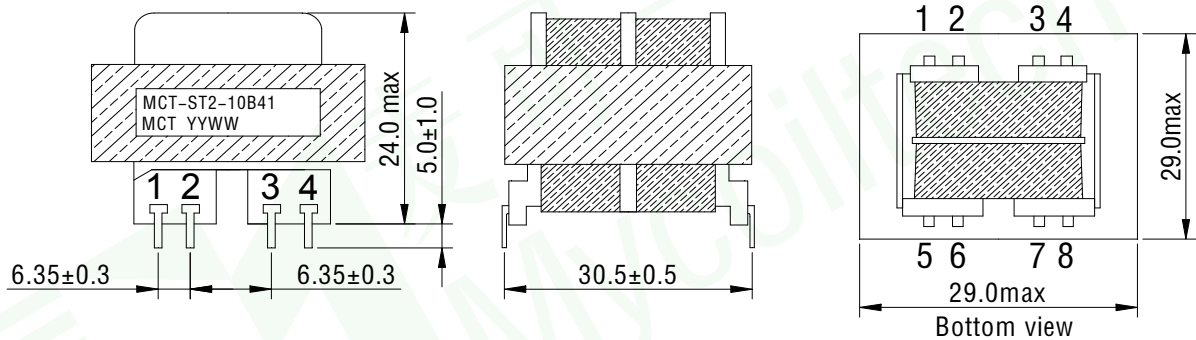
Low Frequency, Open-Style Laminated, Split Bobbin, Horizontal Plug-In Series

Features

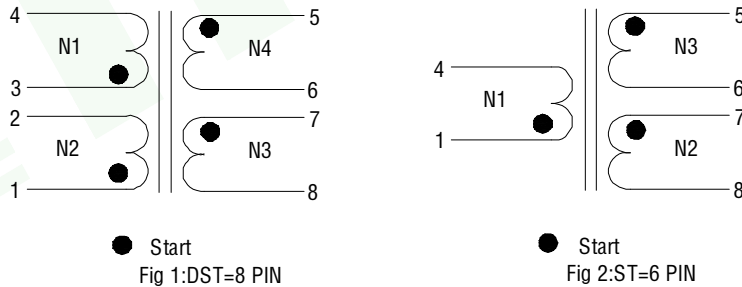
- ✧ High (2500V) isolation; 2500VRMS HIPOT
- ✧ Non-concentric design - eliminates ESS
- ✧ No crossover between primary/secondary winding leads
- ✧ Vacuum impregnated - withstands board washing systems and reduces audible noise
- ✧ Baked resin provides an environmentally-resistant finish
- ✧ Rugged construction - no additional mounting hardware
- ✧ Universal design, fits industry-standard footprints
- ✧ Available in single or dual primary



Mechanical:mm



Schematics



MCT Part No. 115V-6Pin	MCT Part No. 115V/230V-8Pin	Secondary RMS Rating	
		Series	Parallel
MCT-ST2-10B41	MCT-DST2-10B41	10V C.T. @ 0.11A	5V @ 0.22A
MCT-ST2-12B42	MCT-DST2-12B42	12.6V C.T. @ 0.09A	6.3V @ 0.18A
MCT-ST2-16B43	MCT-DST2-16B43	16V CT. @ 0.07A	8V @ 0.14A
MCT-ST2-20B44	MCT-DST2-20B44	20V C.T. @ 0.055A	10V @ 0.11A
MCT-ST2-24B45	MCT-DST2-24B45	24V C.T. @ 0.045A	12V @ 0.09A
MCT-ST2-28B46	MCT-DST2-28B46	28V C.T. @ 0.04A	14V @ 0.08A
MCT-ST2-36B47	MCT-DST2-36B47	36V C.T. @ 0.03A	18V @ 0.06A
MCT-ST2-48B48	MCT-DST2-48B48	48V C.T. @ 0.023A	24V @ .046A
MCT-ST2-56B49	MCT-DST2-56B49	56V C.T. @ 0.02A	28V @ 0.04A
MCT-ST2-120B50	MCT-DST2-120B50	120V C.T. @ 0.01A	60V @ 0.02A